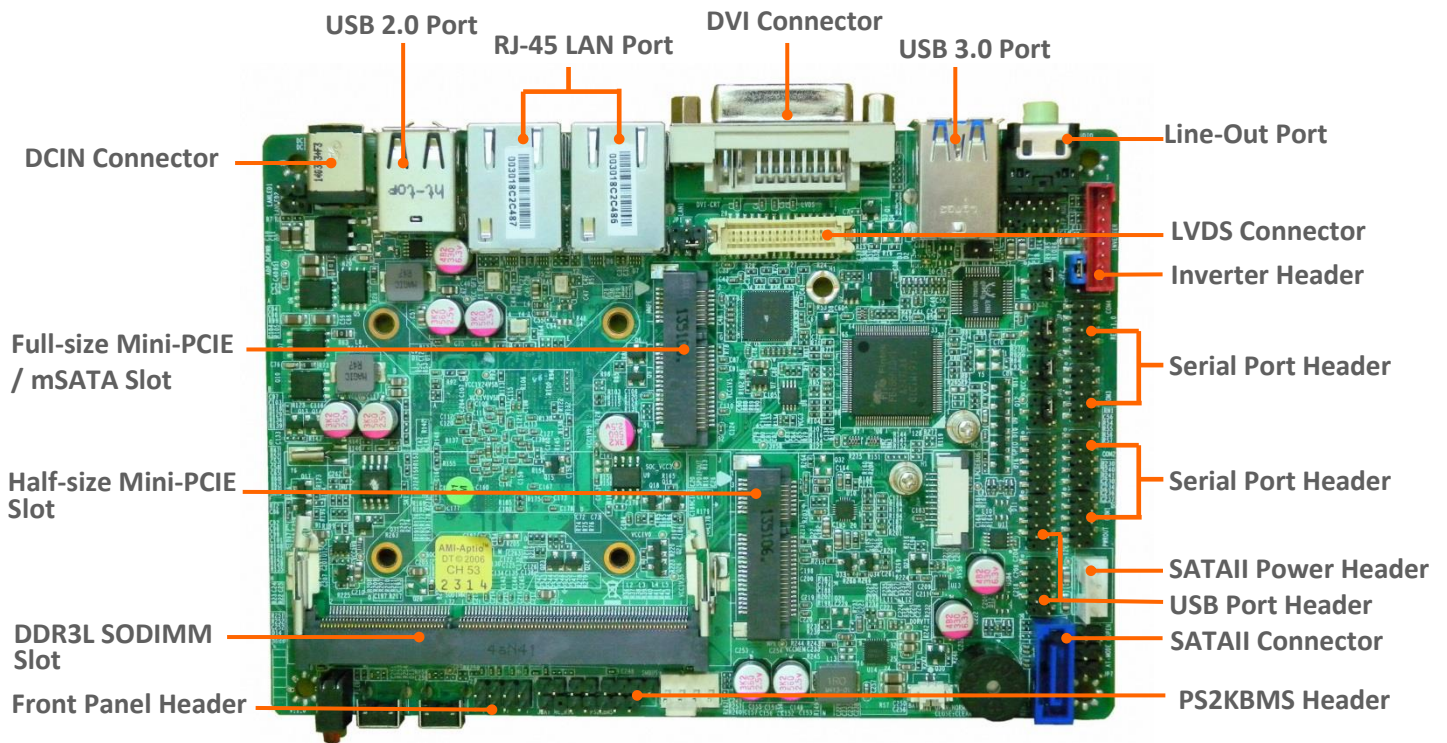


# NC-889

## Bay Trail 3.5" SBC

Datasheet Version 1.2



**NC-889 is a single-board computer designed for industrial and embedded applications and based on the Intel Dual/Quad Core Bay Trail N2807/E3845 CPU.**

NC-889 is a dual/quad core SBC featuring powerful 7th Intel Graphics with a Linux, Windows Embedded Standard 7 or Windows 10 Enterprise LTSC image installed. Its on-board LVDS port allows direct interfacing with a range of TFT panels (See our all in one [Embedded Display Starterkit-N2930 Baytrail](#) for more information). Wide input range switched power supply is compatible with requirements for telecom and automotive applications. The NC-889 can be supplied with or without a heatsink - evaluation kits feature the heatsink as standard.

## System Core, I/O and Mechanical Specification

Feature	Specification
<b>CPU</b>	NC-889N: INTEL Bay Trail 4-core N2930 CPU, 1.86GHz, 7.5W TDP NC-889D: INTEL Bay Trail 2-core N2807 CPU, 1.58GHz, 4.3W TDP NC-889E: INTEL Bay Trail 4-core E3845 CPU, 1.91GHz, 10W TDP (need MOQ)
<b>Memory</b>	1 x SO-DIMM DDR3L 1333MHz, up to 8GB
<b>Power Management</b>	ACPI S3 Compliant, support, Power saving mode
<b>DVI-I</b>	Integrated 7th Intel Graphics support DX11, OGL3.2, max. 1920x1200 resolution
<b>LVDS</b>	24 bit Dual Channel LVDS, max 1920 x 1200
<b>Storage</b>	1 x SATA II (3GB/s) Device Support 1 x mSATA/full size mini-PCIe socket
<b>Ethernet</b>	Realtek RTL8111G Gigabit LAN x 2
<b>USB</b>	7 x USB 2.0 host ports + 1 x USB 3.0 host port
<b>Mini PCIe Socket</b>	1 x full-size mSATA / mini-PCIe mini-PCIe socket 1 x half-size mini-PCIe socket
<b>COM</b>	1x RS-232/422/485, 3x RS-232
<b>GPIO</b>	Up to 8 lines (4 in/4 out)
<b>BIOS</b>	AMI UEFI
<b>Sound I/O</b>	Analogue stereo output, line-in; 3.5mm jacks. Realtek ALC662 HD Audio Codec
<b>Dimension</b>	146 x 102 mm
<b>Power Input</b>	9-24VDC-IN
<b>Power Consumption</b>	10W (depending on load)
<b>Operating Temperature</b>	0°C to 60°C

## NC-889 Embedded Display Kit

### Starterkit-N2930 Intel Baytrail

The NC-889 Intel Bay Trail is also available as Embedded Display kit with 7" WVGA, 10.1" WXVGA or 12.1" XGA display and PCAP touch providing a rapid prototyping HMI solution that we can fully customise to meet your system requirements.

#### Kit Content:

- 1 x Quick Start Guide
- DX86 NC889 Motherboard
- Accessory Package for DX86 range
- Storage: DX86 16GB mSATA 3ME MLC
- Storage: DX86 8GB mSATA 3ME MLC
- Memory: 4GB DDR3L 1600MHz 204P 512Mx8 Samsung
- Memory: 2GB DDR3L 1600MHz 204P 256Mx8 Samsung
- PCAP TFT Display of choice between 7", 10.1" or 12.1"
- Display Interface Kit
- Optional content: WIFI Module (Azure) AW-NB159H(OB) 802.11 WiFi B/G/N BT

\*other configurations available on request

