

# Specification for Colour TFT Display module

## 4.3" Colour IPS TFT Display module

Manufacturer	Yes Optoelectronics Co., Ltd
Part n°	YTS430RLAA-01-100N
Ordering n°	YTS430RLAA-01-100N
Customer Part n°	n/a
Revision n°	1.0
Issue Date	2018-June-07

### Customer's Approval

Company name	
Printed name	
Job title	
Signature	
Approval Stage:	<p>This product is approved for the following production stage: -</p> <ul style="list-style-type: none"> <li><input type="checkbox"/> Sample / Prototype</li> <li><input type="checkbox"/> Pre-Production</li> <li><input type="checkbox"/> Mass Production</li> </ul>
Approval Date	

Supplied by Anders Electronics plc  
 Manufactured Yes Optoelectronics Co., Ltd

**PRODUCT** : LCD MODULE  
**MODEL NO** : YTS430RLAA-01-100N  
**SUPPLIER** : Yes Optoelectronics Co.,Ltd  
**DATE** : Jun.07.2018

---

# SPECIFICATION

Approved	Checked	Department
<b>XIAO YU</b>	<b>LIANGYUEYAO</b>	<b>TP&amp;TFT LCM Department</b>

CUSTOMER:  
MODEL NO.:

DATE:

Approved	Checked	Department

ADD: No.288Yueling Road Anshan, Liaoning, P.R.CHINA  
TEL: 86-412-5211859 FAX: 86-412-5211729 P.C.:114044  
E-mail : [yes@yes-lcd.com](mailto:yes@yes-lcd.com), [yeslcd@globalsources.com](mailto:yeslcd@globalsources.com)  
Web: <http://www.yes-lcd.com>  
<http://www.asiansources.com/sante.com>

## CONTENTS

1.General Specifications .....	4
2.Mechanical Drawing.....	5
3.PIN Assignment .....	6
4.Absolute Maximum Rating.....	7
5.Electrical Characteristics.....	7
5.1.Recommended Operating Condition .....	7
5.2.Rcommended Driving Condition for Backlight.....	8
6. Timing Characteristics .....	8
6.1.AC Electrical Characteristics .....	8
6.2. DC Electrical Characteristics.....	9
6.3. Timing .....	10
6.4. Data input format .....	14
6.5. Power ON/OFF Sequence.....	15
7.Optical Characteristics .....	16
8.Environmental/Reliability Test.....	13
9.Packing Drawing.....	20
10. Standard Specifications For Product Quality.....	21
11.Precautions for Use of LCD Modules.....	25
12.Prior Consult Matter.....	29
13.Factory.....	29



# 1. General Specifications

No	Item	Contents	Unit
1	Size	4.3	inch
2	Resolution	800RGB*480	
3	Interface	24-bits RGB	
4	Color Depth	16M	
5	Technology Type	a-Si TFT	
6	Pixel Pitch	0.1188*0.1122	mm
7	Display Mode	Transmissive, IPS, NB	
8	Viewing Direction	ALL VIEW	
9	LCM (W x H x D)	105.4*67.1*3.17	mm
10	Active Area (W x H)	95.04*53.86	mm
11	With/Without TSP	Without TSP	
12	LED Numbers	12	

## 2. Mechanical Drawing

<i>CUSTOMER'S APPROVED:</i>	<i>DATE:</i>	<i>PAGE:</i>
-----------------------------	--------------	--------------

**Backlight circuit diagram:**  
 $V_f = 17V$  (typ.)  $19V$  (max.)  
 $I_f = 80mA$

Dimensions:  
 \*105.4 LED OD.  
 \*100.94 LCD OD.  
 \*95.04 LCD AA.  
 \*67.1 LED OD.  
 \*61.86 LCD OD.  
 \*53.86 LCD AA.  
 \*2.24  
 \*4.09  
 \*45.16±0.5  
 \*29.95±0.5  
 \*11.13  
 \*3.17  
 \*5.18  
 \*10.27±0.5  
 \*25.99±0.5  
 \*40  
 \*20.5  
 \*0.5  
 \*0.3  
 \*3.5±0.3  
 \*0.5  
 \*0.30±0.05

Pin configurations:  
 P0.5\*(40-1)=19.5  
 40  
 10.27  
 25.99  
 40  
 20.5  
 0.5  
 0.3  
 3.5±0.3  
 0.5

NO.	DESCRIPTION	DATE

	<b>Yes Optoelectronics Co., Ltd.</b>
No. YTS430RLAA-01-100N Ver. 1	Dru AH 2018.5.25
Unit: mm	Chk
	Apr

1 Operating Voltage:	VCC=3.3V (typ.)	21 PIN SYMBOL	B0
2 Resolution:	800RGB*480	22 PIN SYMBOL	B1
3 Color:	16M	23 PIN SYMBOL	B2
4 Interface:	RGB	24 PIN SYMBOL	B3
5 Display type:	Transmissive, IPS Normally black	25 PIN SYMBOL	B4
6 Viewing Direction:	ALL VIEW	26 PIN SYMBOL	B5
7 Operating Temp.:	-30°C~80°C	27 PIN SYMBOL	B6
8 Storage Temp.:	-30°C~85°C	28 PIN SYMBOL	B7
9 Driver IC:	HX8264-D06	29 PIN SYMBOL	GND
10 Unspecified tolerance:	±0.2	30 PIN SYMBOL	DOTCLK
11 LCM Luminance:	750cd/m <sup>2</sup> (min.) 950cd/m <sup>2</sup> (typ.)	31 PIN SYMBOL	DISPLAY
		32 PIN SYMBOL	HSYNC
		33 PIN SYMBOL	VSYNC
		34 PIN SYMBOL	ENABLE
		35 PIN SYMBOL	NC
		36 PIN SYMBOL	GND
		37 PIN SYMBOL	GRB (NC)
		38 PIN SYMBOL	SCL
		39 PIN SYMBOL	SDA
		40 PIN SYMBOL	CS

### 3. PIN Assignment

Pin No	Symbol	I/O	Function	Remark
1	K	P	LED cathode	
2	A	P	LED anode	
3	GND	P	GND	
4	VCC	P	Power supply	
5-12	R0- R7	I	Data bit.	
13-20	G0- G7	I	Data bit.	
21-28	B0-B7	I	Data bit.	
29	GND	P	GND	
30	DOTCLK	I	Master and slave cascade control signal.	
31	DISPLAY	I	Display on/off mode control.	
32	HSYNC	I	Horizontal sync input. Negative polarity. Normally pull	
33	VSYNC	I	Vertical sync input. Negative polarity. Normally pull high.	
34	ENABLE	I	Data input enable. Active high to enable the data input bus under "DE	
35	NC	-	No connection	
36	GND	P	Ground	
37	GRB (NC)	-	No connection	
38	SCL	I	Multi function I/O pin. Normally pull high When DBC3="1", this pin is SCL function (Default) When DBC3="0", this pin is DBCM[0]function Note: Fix to the VDD level if no used	
39	SDA	I/O	Multi function I/O pin. Normally pull high When DBC3="1", this pin is SDA function (Default) When DBC3="0", this pin is DBCM[1] function Note: Fix to the VDD level if no used	
40	CS	I	Serial Interface chip enable signal. Normally pull high SCEN="0": The chip is selected (accessible) SCEN="1": The chip is not selected (inaccessible) (Default) Note: Fix to the VDD level if no used	

**PS :For further details ,please refer to ST7272A data sheet.**

## 4. Absolute Maximum Rating

AGND = GND = 0V , Ta = 25° C

Item	Symbol	Min	Max	Unit	Remark
Power Voltage	VCC	-0.5	3.96	V	
Operating Temperature	T <sub>OPR</sub>	-30	80	° C	
Storage Temperature	T <sub>STG</sub>	-30	85	° C	

The absolute maximum rating values of this product are not allowed to be exceeded at any times. Should a module be used with any of the absolute maximum ratings exceeded, the characteristics of the module may not be recovered, or in an extreme case, the module may be permanently destroyed.

## 5. Electrical Characteristics

### 5.1. Recommended Operating Condition

AGND = GND = 0V , Ta = 25° C

Item	Symbol	Min	Typ.	Max	Unit	Remark
Power Voltage	VCC	2.7	3.3	3.6	V	
Input logic high voltage	V <sub>IH</sub>	0.7 VCC	-	VCC	V	
Input logic low voltage	V <sub>IL</sub>	0	-	0.3VCC	V	

### 5.2. Recommended Driving Condition for Backlight

Ta = 25° C

Item	Symbol	Min	Typ.	Max	Unit	Remark
Forward Voltage	V <sub>f</sub>		17	19	V	
Forward Current	I <sub>f</sub>		80		mA	
Operating Life Time	-	20000			Hours	

Note 1: The LED supply voltage is defined by the number of LED at Ta=25°C and I<sub>f</sub>=80mA.

Note 2: The “Operating Life Time” is defined as the module brightness decrease to 50% original brightness at Ta=25°C and I<sub>f</sub>=80mA. The LED lifetime could be decreased if operating I<sub>f</sub> is larger than 80 mA.



## 6. Timing Characteristics

### 6.1. AC Electrical Characteristics

Parameter	Symbol	Spec.			Unit
		Min.	Typ.	Max.	
HS setup time	$T_{hst}$	8	-	-	ns
HS hold time	$T_{hhd}$	8	-	-	ns
VS setup time	$T_{vst}$	8	-	-	ns
VS hold time	$T_{vhd}$	8	-	-	ns
Data setup time	$T_{dsu}$	8	-	-	ns
Data hold time	$T_{dhd}$	8	-	-	ns
DE setup time	$T_{esu}$	8	-	-	ns
DE hold time	$T_{ehd}$	8	-	-	ns
VDD Power On Slew rate	$T_{POR}$	-	-	20	ms
RSTB pulse width	$T_{Rst}$	10	-	-	us
CLKIN cycle time	$T_{cph}$	20	-	-	ns
CLKIN pulse duty	$T_{cwh}$	40	50	60	%
Output stable time	$T_{sst}$	-	-	6	us

## 6. 2.DC Electrical Characteristics

VCC=VDD

Parameter	Symbol	Spec.			Unit	Condition
		Min.	Typ.	Max.		
Power supply voltage	VDD	2.7	3.3	3.6	V	-
Power supply voltage	VDDA	6.5	-	13.5	V	-
Low level input voltage	V <sub>IL</sub>	0	-	0.3VDD	V	For digital circuit
High level input voltage	V <sub>IH</sub>	0.7VDD	-	VDD	V	For digital circuit
Output low voltage	V <sub>OL</sub>	-	-	VSS+0.4	V	I <sub>OL</sub> =400μA
Output high voltage	V <sub>OH</sub>	VDD-0.4	-	-	V	I <sub>OH</sub> =-400μA
Pull low/high resistance	R <sub>i</sub>	200	250	300	kΩ	For the digital input pin @VDD=3.3V
Input leakage current	I <sub>li</sub>	-	-	±1	uA	For digital circuit
Digital Operation current	I <sub>dd</sub>	-	5	14	mA	Dual gate mode or Cascade mode slave, Fclk=50MHz, LD=48KHz, VDD=3.3V, CABC disable, No load
		-	7	16	mA	Cascade mode master, Fclk=50MHz, LD=48KHz, VDD=3.3V, CABC disable, No load
Digital stand-by current	I <sub>st1</sub>	-	10	50	μA	Clock & all functions are stopped
Analog Operating current	I <sub>dda</sub>	-	6	8	mA	No load, Fclk=50MHz, FLD=48KHz @ VDDA=10V, V1=8V, V14=0.4V
Analog Stand-by current	I <sub>st2</sub>	-	10	50	μA	No load, clock & all functions are stopped
Input level of V1-V7	V <sub>ref1</sub>	0.4VDDA	-	VDDA-1	V	Gamma correction voltage input
Input level of V8-V14	V <sub>ref2</sub>	0.1	-	0.6VDDA	V	Gamma correction voltage input
Output Voltage deviation	V <sub>od1</sub>	-	±20	±35	mV	V <sub>o</sub> =VSSA+0.1V~VSSA+0.5V & V <sub>o</sub> =VDDA-0.5V~VDDA-0.1V
Output Voltage deviation	V <sub>od2</sub>	-	±15	±20	mV	V <sub>o</sub> =VSSA+0.5V~VDDA-0.5V
Output Voltage Offset between Chips	V <sub>oc</sub>	-	-	±20	mV	V <sub>o</sub> =VSSA+0.5V~VDDA-0.5V
Dynamic Range of Output	V <sub>dr</sub>	0.1	-	VDDA-0.1	V	SO1~SO1200
Sinking Current of Outputs	I <sub>OLy</sub>	80	-	-	μA	SO1~SO1200; V <sub>o</sub> =0.1V vs. 1.0V, VDDA=13.5V
Driving Current of Outputs	I <sub>OHy</sub>	80	-	-	μA	SO1~SO1200 ;V <sub>o</sub> =0.1V vs. 12.5V, VDDA=13.5V
Resistance of Gamma Table	R <sub>g</sub>	0.7*R <sub>n</sub>	1.0*R <sub>n</sub>	1.3*R <sub>n</sub>	Ω	R <sub>n</sub> : Internal gamma resistor

## 6.3 Timing

### ● Horizontal timing

Parameter	Symbol	Spec.			Unit
		Min.	Typ.	Max.	
Horizontal Display Area	thd		800		DCLK
DCLK frequency	fclk	-	30	50	MHz
One Horizontal Line	th	889	928	1143	DCLK
HS pulse width	thpw	1	48	255	DCLK
HS Back Porch (Blanking)	thb		88		DCLK
HS Front Porch	thfp	1	40	255	DCLK
DE mode Blanking	th-thd	85	128	512	DCLK

### ● Vertical timing

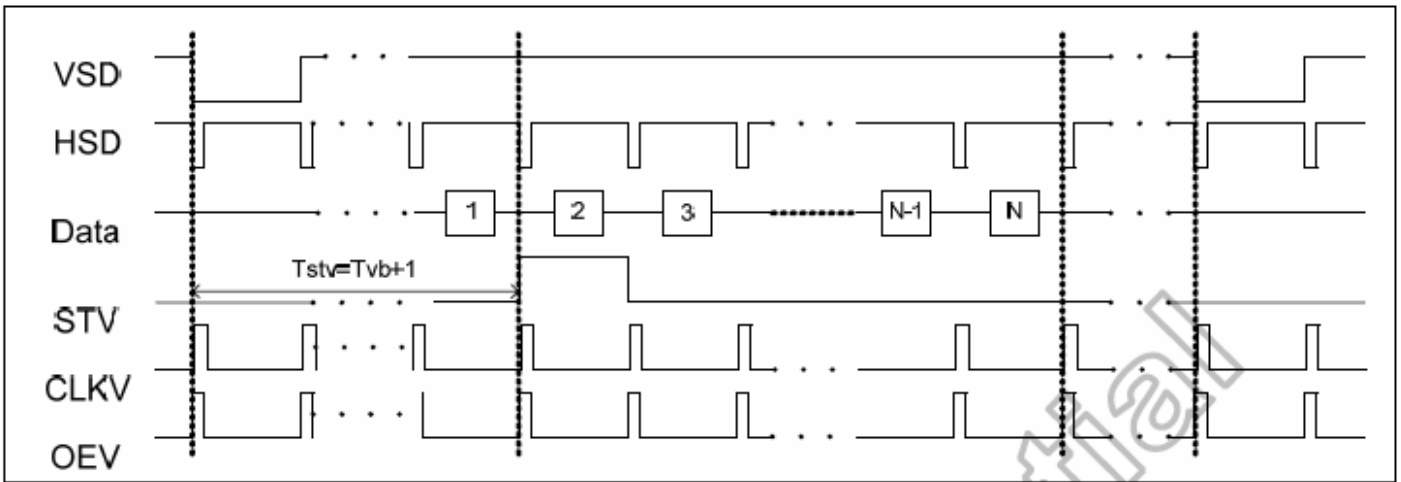
Parameter	Symbol	Spec.			Unit
		Min.	Typ.	Max.	
Vertical Display Area	tvd		480		T <sub>H</sub>
VS period time	tv	513	525	767	T <sub>H</sub>
VS pulse width	tvpw	3	3	255	T <sub>H</sub>
VS Back Porch (Blanking)	tvb		32		T <sub>H</sub>
VS Front Porch	tvfp	1	13	255	T <sub>H</sub>
DE mode Blanking	tv-tvd	4	45	255	T <sub>H</sub>

Parameter	Symbol	Min.	Typ.	Max.	Unit	Conditions
CLKIN Frequency	Fclk	-	40	50	MHz	VDD=3.0V~3.6V
CLKIN Cycle Time	Tclk	20	25	-	ns	-
CLKIN Pulse Duty	Tcwh	40	50	60	%	Tclk
Time from HSD to Source Output	Thso		64		CLKIN	-
Time from HSD to LD	Thld		64		CLKIN	-
Time from HSD to STV	Thstv		2		CLKIN	-
Time from HSD to CKV	Thckv		20		CLKIN	-
Time from HSD to OEV	Thoev		4		CLKIN	-
LD Pulse Width	Twld		10		CLKIN	-
CKV Pulse Width	Twckv		66		CLKIN	-
OEV Pulse Width	Twoev		74		CLKIN	-

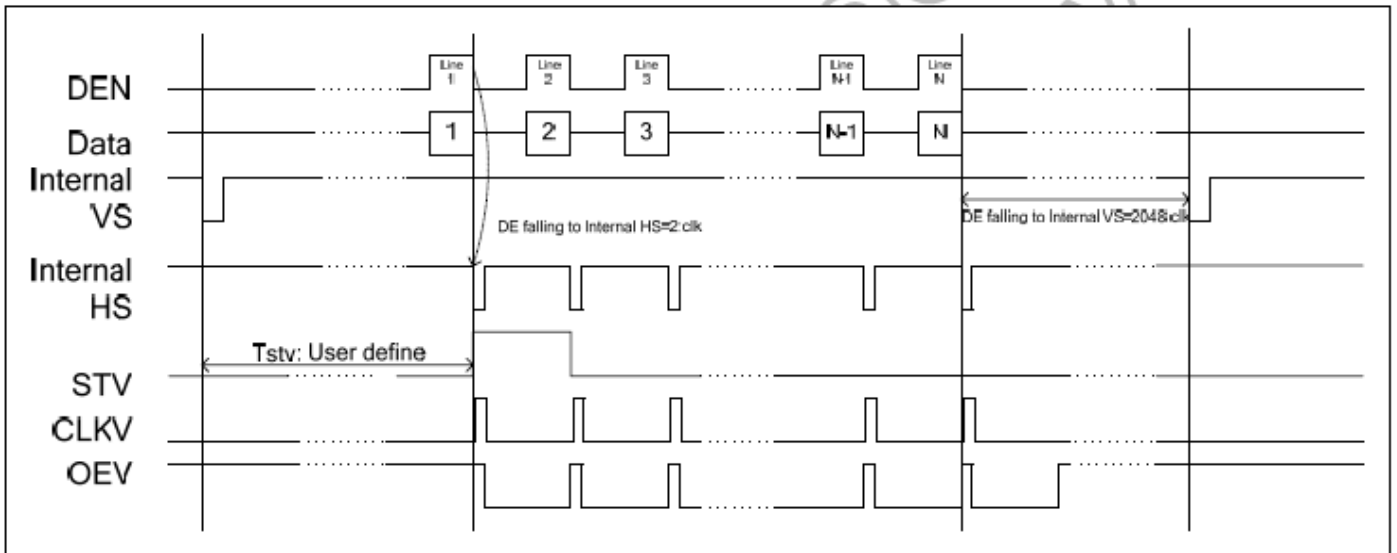
Parallel 24-bit RGB mode



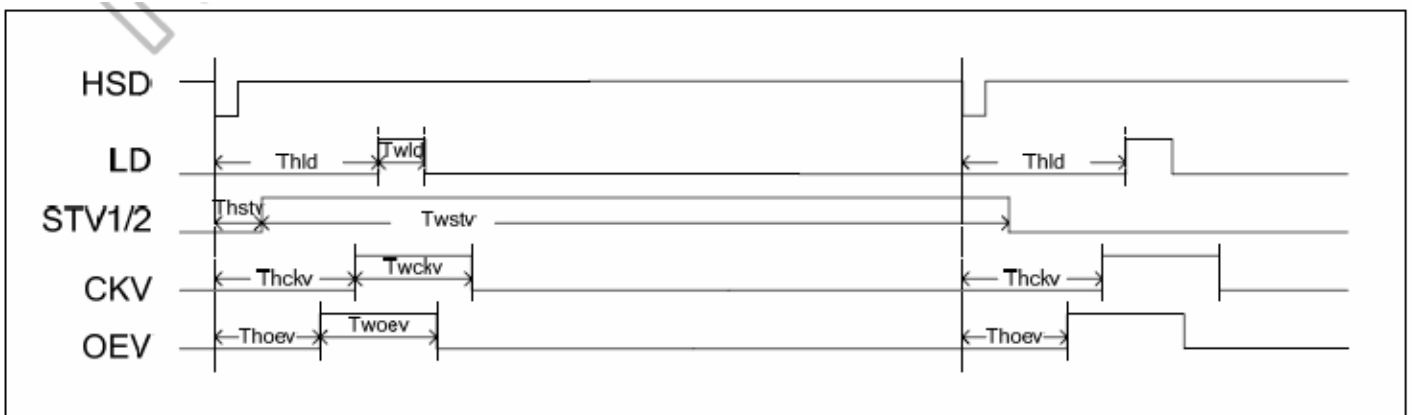
### Vertical timing diagram HV (Cascade)



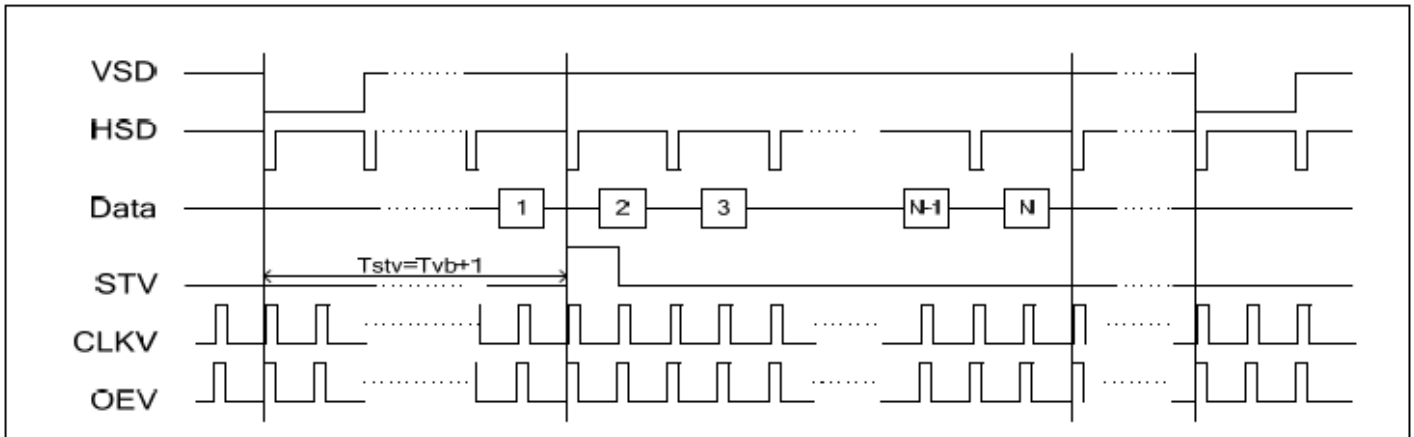
### Vertical timing diagram DE (Cascade)



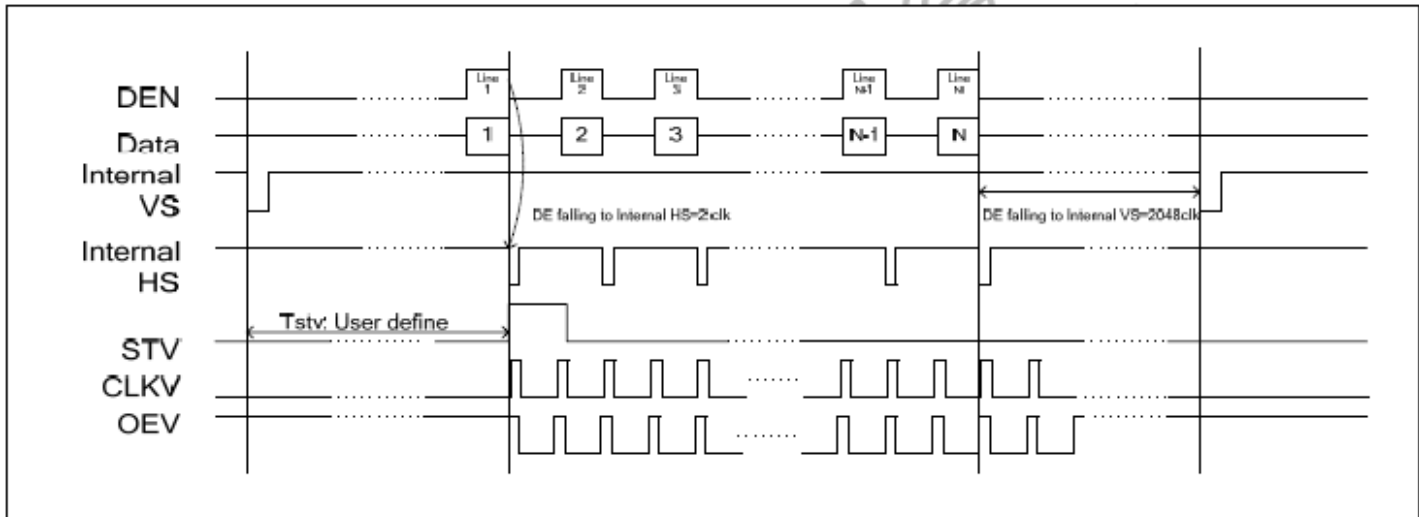
### Gate output timing diagram (Cascade)



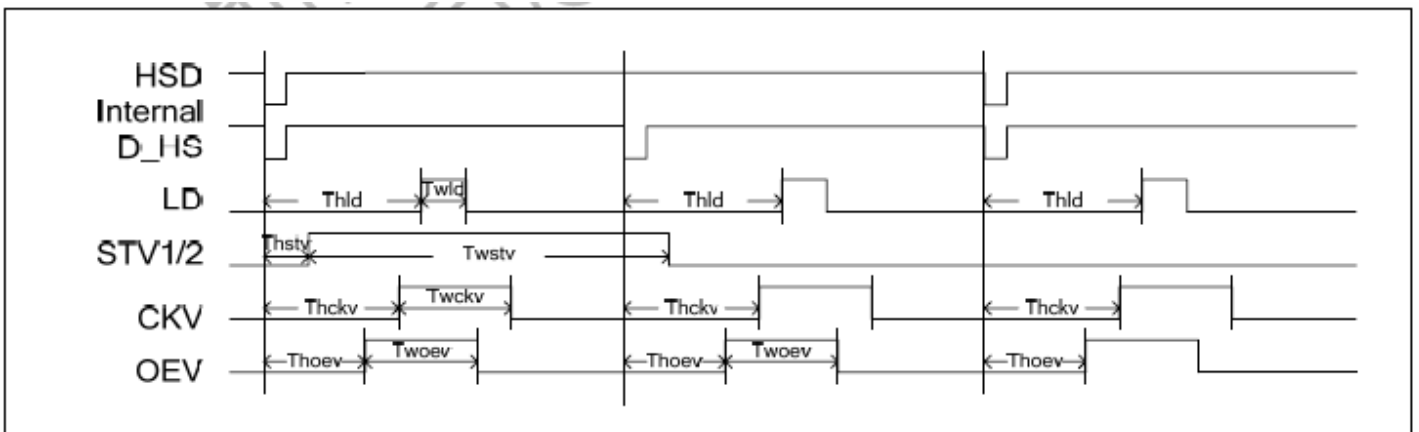
### Vertical timing diagram HV (Dual gate)



### Vertical timing diagram DE (Dual gate)

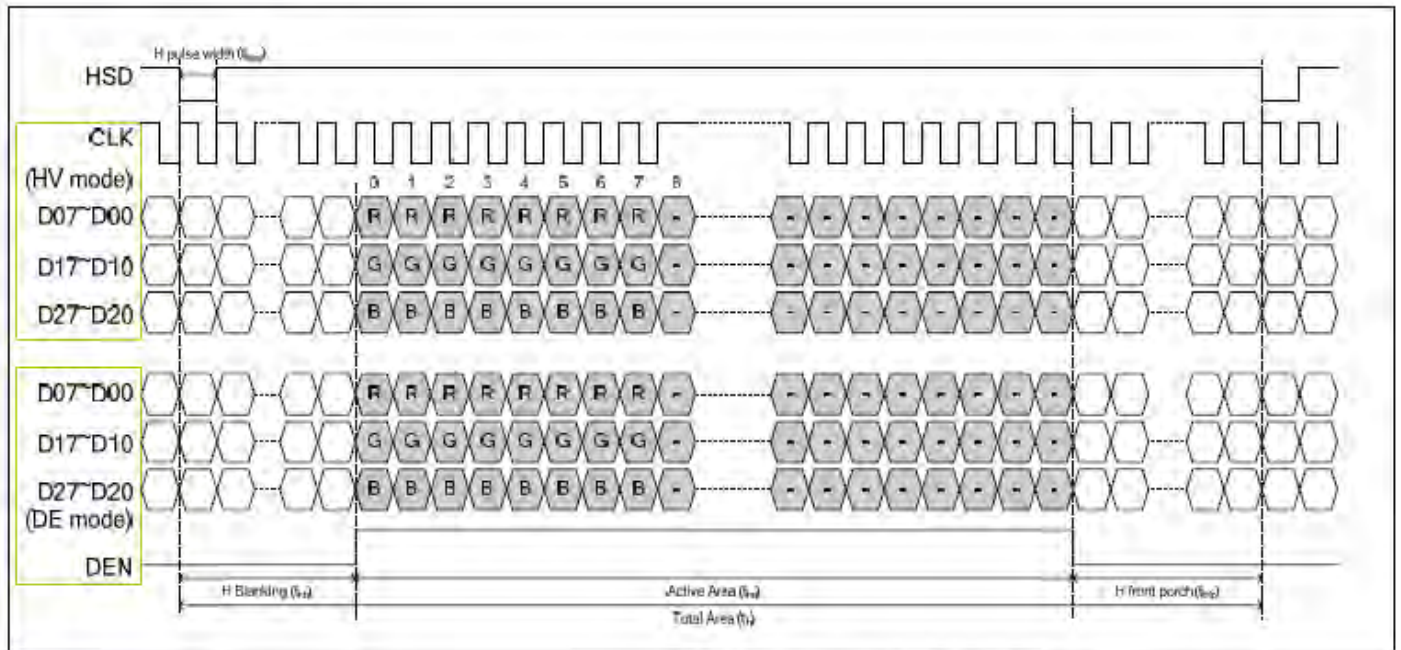


### Gate output timing diagram (Dual gate)

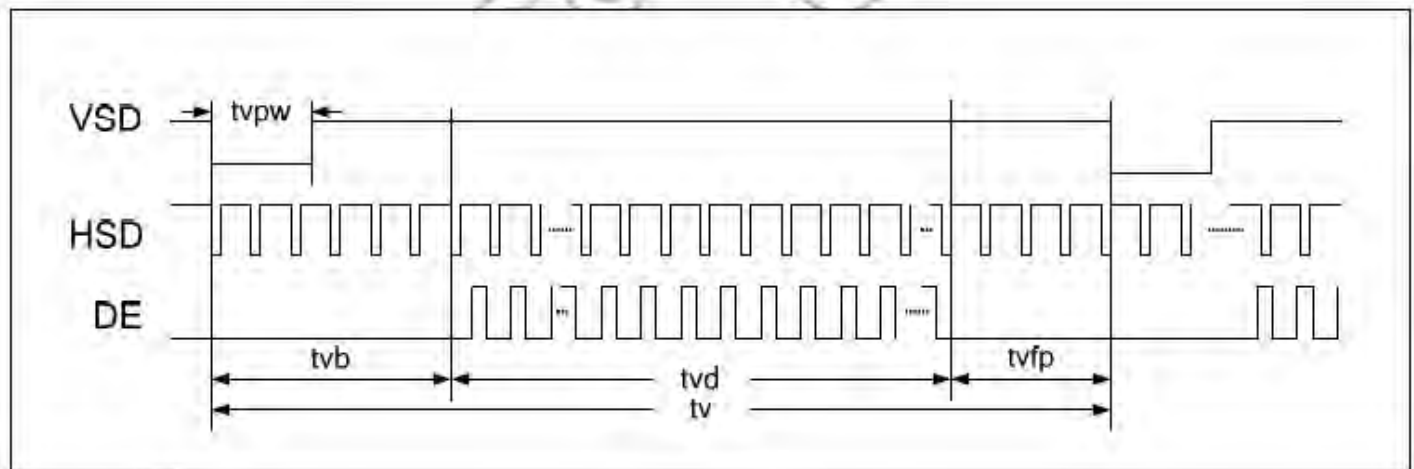


## 6.4. Data input format

### ● Horizontal timing



### ● Vertical timing



### 6.5. Power ON/OFF Sequence

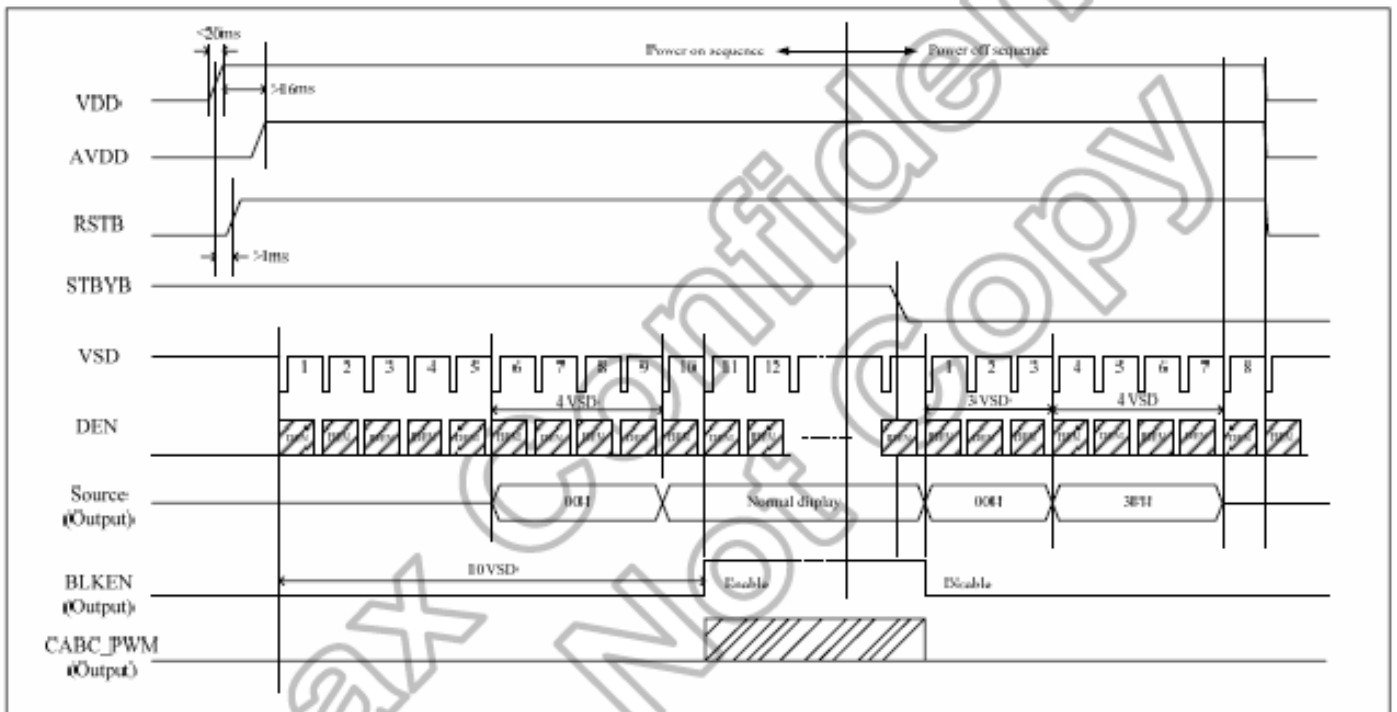
VCC=VDD

To prevent the device damage from latch up, the power on/off sequence shown below must be followed.

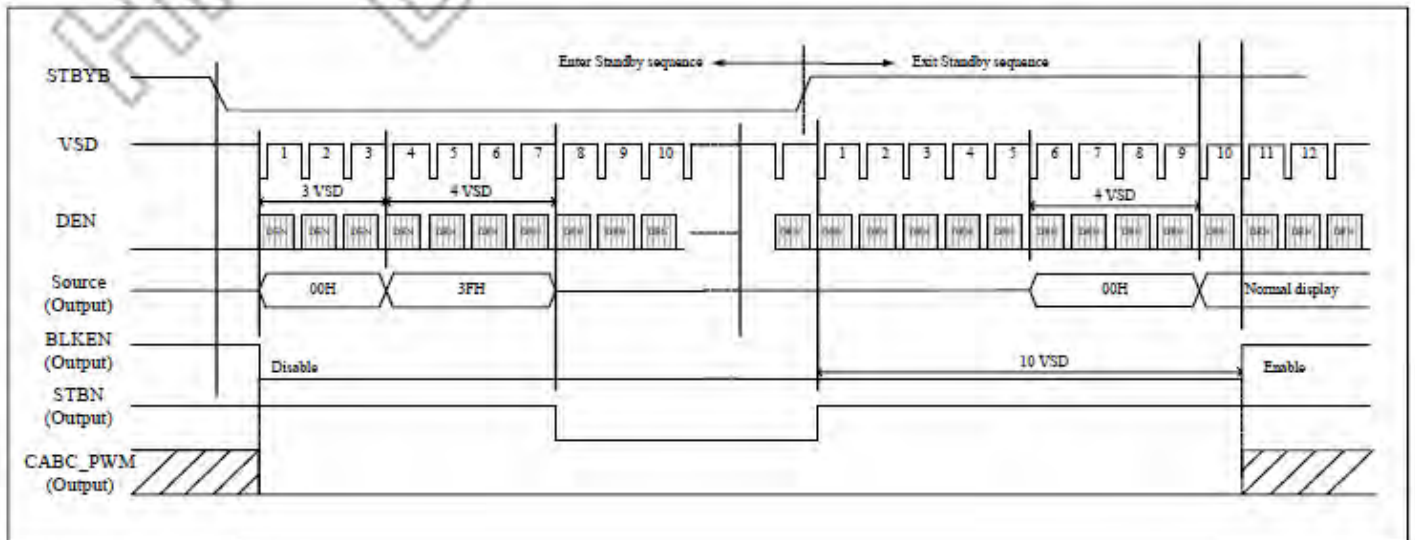
Power ON: VDD, VSS → VDDA, VSSA  
 Power OFF: VDDA, VSSA → VDD, VSS

#### Power on/off control

HX8264-D06 has a power on/off sequence control function. In order to prevent IC from power on reset fail, the rising time ( $T_{POR}$ ) of the digital power supply VDD should be maintained within the given specifications. Please refer to "AC Characteristics" for more detail on timing.



#### Enter and exit standby mode sequence





## 7. Optical Characteristics

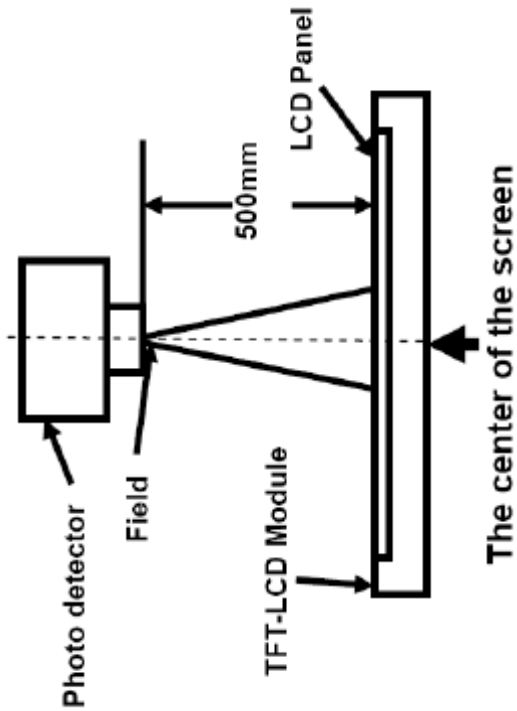
Item	Symbol	Condition	Min	Typ	Max	Unit	Remark
View Angles	$\theta T$	$CR \geq 10$	70	80	-	Degree	Note 2
	$\theta B$		70	80	-		
	$\theta L$		70	80	-		
	$\theta R$		70	80	-		
Contrast Ratio	CR	$\theta = 0^\circ$	640	800			Note 1 Note 3
Response Time	$T_{ON}+T_{OFF}$	$25^\circ C$	-	30	40	ms	Note 1 Note 4
Chromaticity	$W_x$	x	0.293	0.313	0.333		Note 1
	$W_y$	y	0.319	0.339	0.359		Note 5
Uniformity	U		-	80	-	%	Note 5
Luminance	L		(750)	(950)	-	cd/m <sup>2</sup>	Note 1 Note 5

Test Conditions:

1. If= 80 mA(Backlight current), VCC = 3.3 V, the ambient temperature is  $25^\circ C$ .
2. The test systems refer to Note 2.

Note1: Definition of optical measurement system.

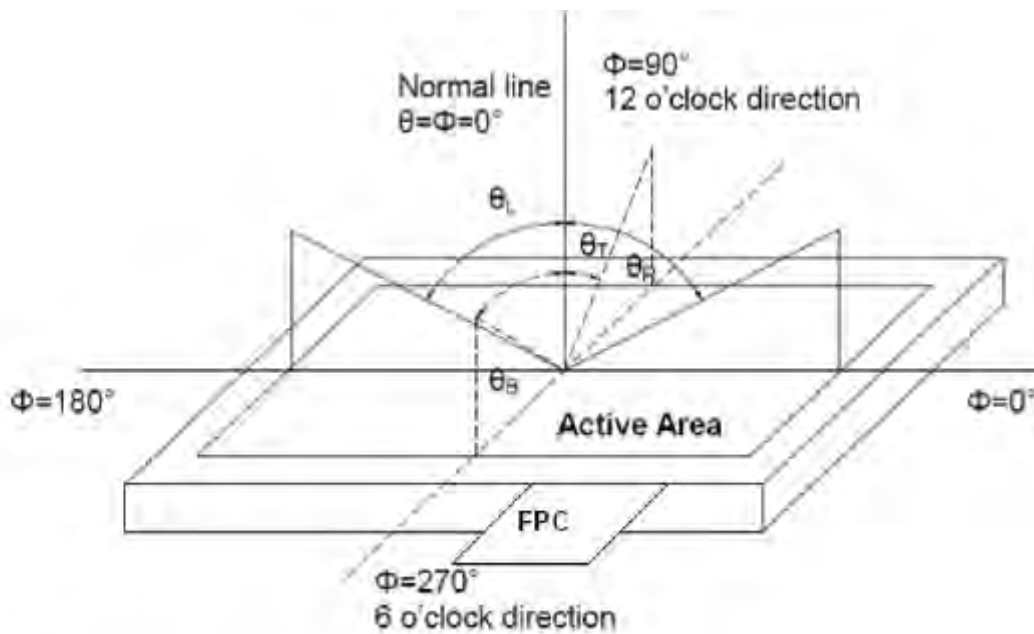
The optical characteristics should be measured in dark room. After 5Minutes operation, the optical properties are measured at the center point of the LCD screen. ALL input terminals LCD panel must be ground when measuring the center area of the panel.



Item	Photo detector	Field
Contrast Ratio	CS1000	1°
Luminance		
Lum Uniformity		
Chromaticity	CS1000	
Response Time	DMS703	-

Note2: Definition of viewing angle range and measurement system.

Viewing angle is measured at the center point of the LCD by CONOSCOPE (DMS703)



Note3: Definition of contrast ratio

$$\text{Contrast ratio (CR)} = \frac{\text{Luminance measured when LCD is on the "White" state}}{\text{Luminance measured when LCD is on the "Black" state}}$$

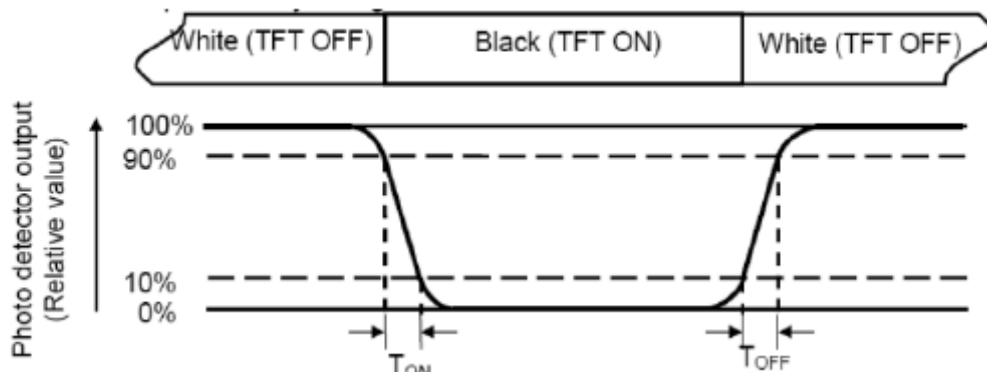
“White state ”:The state is that the LCD should drive by V<sub>white</sub>.

“Black state ”:The state is that the LCD should drive by V<sub>black</sub>.

V<sub>white</sub>: To be determined      V<sub>black</sub>: To be determined

Note4:Definition of Response time

The response time is defined as the LCD optical switching time interval between “White”state and “Black” state. Rise time (T<sub>ON</sub>)is the time between photo detector output intensity changed from 90% to 10%.And fall time (T<sub>OFF</sub>)is the time between photo detector output intensity changed from 10% to90%.



Note5:Definition of color chromaticity (CIE1931)

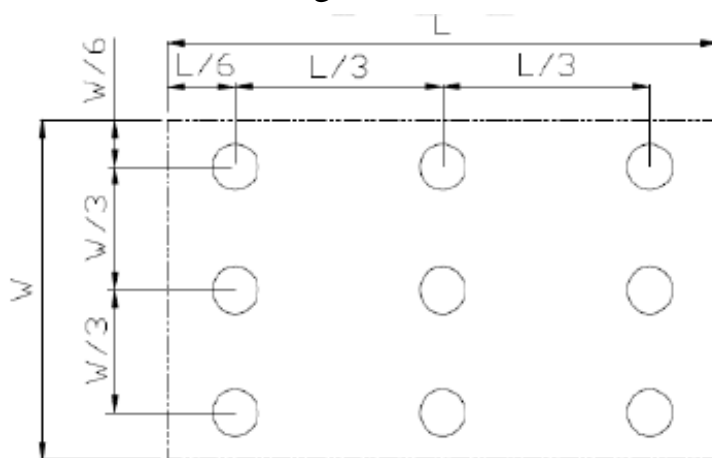
Color coordinates measured at center point of LCD.

Note6: Definition of Luminance Uniformity

Active area is divided into 9 measuring areas(Refer Fig.2).Every measuring point is placed at the center of each measuring area.

$$\text{Luminance Uniformity (U)} = \text{Lmin}/\text{Lmax}$$

L-----Active area length    W-----Active area width



L max: The measured Maximum luminance of all measurement position.

L min: The measured Minimum luminance of all measurement position.

Note7: Definition of luminance: Measure the luminance of white state at center point.

## 8. Environmental/Reliability Test

No.	Test Item	Test Condition	Inspection after test
1	High Temperature Storage	85±2°C/240 hours	Inspection after 2~4hours storage at room temperature, the sample shall be free from defects: 1.Air bubble in the LCD; 2.Sealleak; 3.Non-display; 4.missing segments; 5.Glass crack; 6.Current Idd is twice higher than initial value.
2	Low Temperature Storage	-30±2°C/240 hours	
3	High Temperature Operating	80±2°C/240 hours	
4	Low Temperature Operating	-30±2°C/240 hours	
5	Temperature Cycle	-30°C~25°C~85°C × 10cycles (60min.) (5min.) (60min.)	
6	Damp Proof Test	40°C±5°C×90%RH/240hours	
7	Vibration Test	Frequency: 10Hz~55Hz~10Hz Amplitude: 1.5mm, X, Y, Z direction for total 3hours (Packing condition)	
8	Dropping test	Drop to the ground from 1m height, one time, every side of carton. (Packing condition)	
9	ESD test	Voltage:±8KV R: 330Ω C: 150pF Air discharge, 10time	
		Voltage:±6KV R: 330Ω C: 150pF Contact discharge, 10time	

**Remark:**

- 1.The test samples should be applied to only one test item.
- 2.Sample size for each test item is 5~10pcs.
- 3.For Damp Proof Test, Pure water(Resistance> 10MΩ) should be used.
- 4.In case of malfunction defect caused by ESD damage, if it would be recovered to normal state after resetting, it would be judge as a good part.
- 5.Failure Judgment Criterion: Basic Specification, Electrical Characteristic, Mechanical Characteristic, Optical Characteristic.
- 6.Please use automatic switch menu(or roll menu) testing mode when test operating mode.

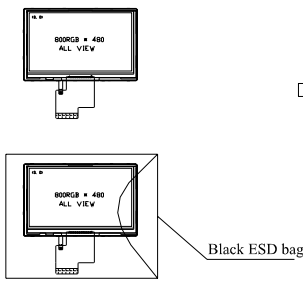
# 9. Packing Drawing

<i>CUSTOMER'S APPROVED:</i>	<i>DATE: 2018.06.05</i>	<i>PAGE: 1/1</i>
-----------------------------	-------------------------	------------------

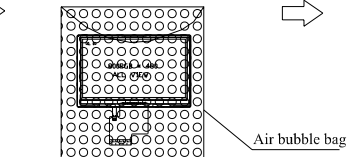
PRODUCT PART NO.: *YTS430RLAA-01-100N*

**Packing Process:**

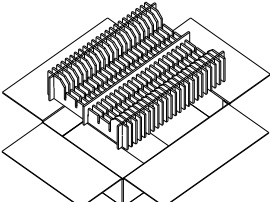
1) Putting one module into each black ESD bag.



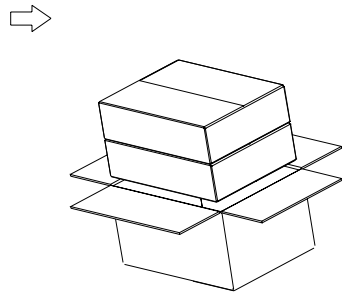
2) Putting two module with black ESD bag into one air bubble bag.



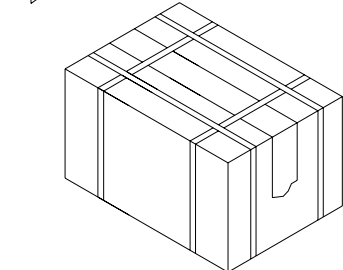
3) Putting 132 pcs Modules into the inner box . (two products in one room)



4)After filling, putting the two inner bowes into the out carton.



5) Packing finished



Note: 264 pcs/Outcarton

Dimension (Out carton ):595\*439\*320mm

NO. <i>YTS430RLAA-01-100N</i> ver.1	Drw:	Chk:	Apv:
-------------------------------------	------	------	------

**ANSHAN YES OPTOELECTRONICS DISPLAY CO., LTD**

## 10. Standard Specifications For Product Quality

### 10.1. Manner of test:

10.1.1 The test must be under 40W fluorescent light, and the distance of view must be at 30±10cm.

10.1.2 Room temperature 25±5°C Humidity: (60±10)%RH.

### 10.2. Quality specification

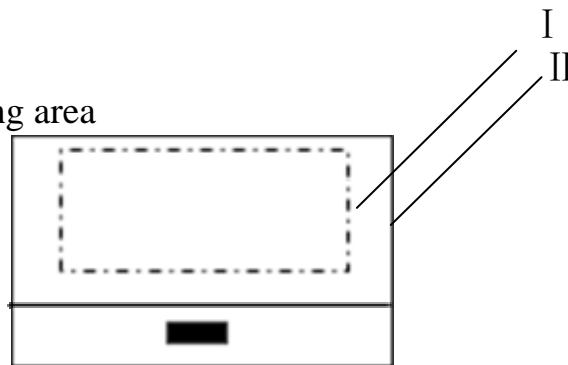
It shall be based on GB2828-87, inspection level II .

	IETM	CHECK LEVEL	AQL
MAJOR (MA)	1.Liquid crystal leakage 2.Wrong polarizer 3.Outside dimension 4. Bright dot、 Dark dot 5. Display abnormal 6. Class crack	II	0.25
MINOR (MI)	1. Spot Defect (Including black spot、 white spot、 pinhole、 foreign particle、 bubbles、 hurt) 2. fragment 3. Line Defect (Including black line、 white line、 cratch) 4. Incision defect 5. Newton's ring 6. Other visual defects	II	1.0

### 10.3. Definition of area:

10.3.1 I area: viewing area


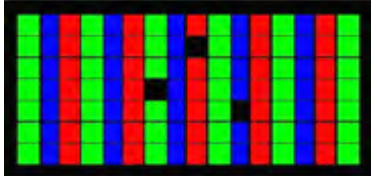
II area: outside viewing area



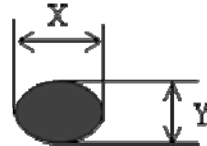
### 10.4. Standard of appearance test for I area: (unit: mm)

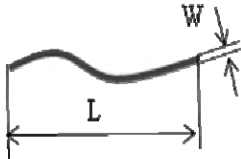
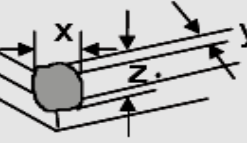
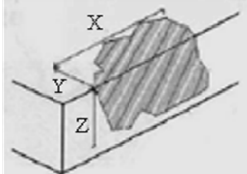
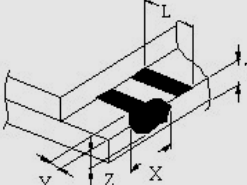
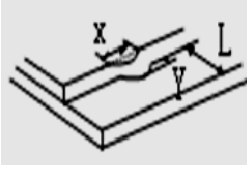
NOTE: Defect ignore for II area .

### 10.4.1 Bright/Dark Dots explain

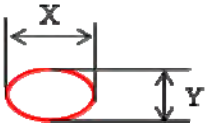
Name	Explain	Definition
Bright dot	Dots appear bright and unchanged in size in which LCD panel is displaying under black pattern 	The definition of dot: The size of a defective dot over 1/2 of single pixel dot is regarded as one defective dot . NOTE: One pixel consists of 3 sub-pixels, including R,G, and B dot.(Sub-pixel = Dot)
Dark dot	Dots appear dark and unchanged in size in which LCD panel is displaying under pure red, green, blue pattern. 	
ADJACENT DOT	Adjacent two sub-pixel are defect (define two dot defect)	

### 10.4.2 Inspection standard

No	Items	Criterion		Checking Manner	Defect Classes
1	Bright/dark dot	Under 6" (contain 6")	Bright dot: 2 Dark dot: N≤4 <b>Note:</b> be more than 5mm apart	Checking with eyes	MAJ
		6"-12"	Bright dot: N≤4 Dark dot: N≤5 Total Bright and Dark Dots: N≤8 <b>Note :</b> 1.Two bright dot defects (red, green, blue, and white) should be larger than 15mm; 2.The distance between black dot defects or black and bright dot defects should be more than 5mm apart.		
2	Spot Defect (Including black spot.white spot. Pinhole.foreign particle.bubbles.hurt)  D=(X+Y)/2	Under 6" (contain 6")	D≤0.1 Ignore 0.1<D≤0.35 N≤3 0.35<D N=0	Checking with eyes	MIN
		6"-12"	D≤0.3 Ignore 0.3<D≤0.6 N≤4 0.6<D N=0		

№	Items	Criterion		Checking manner	Defect classes
3	Line Defect (Including black Line.white line. scratch) 	Under 6" (contain 6")	$W \leq 0.02$ Ignore $0.02 < W \leq 0.04$ $L \leq 5$ $N \leq 2$ $0.04 < W \leq 0.06$ $L \leq 5$ $N \leq 1$ $W > 0.06$ $N = 0$	Checking with eyes	MIN
		6"-12"	$W \leq 0.07$ Ignore $0.07 < W \leq 0.1$ $L \leq 10$ $N \leq 4$ $W > 0.1$ $N = 0$		
4	Display abnormal	Not allowed		Checking with eyes	MAJ
5	Outside dimension	Accord with drawing		Callipers	MAJ
6	Class crack	Not allowed		Checking with eyes	MAJ
7	Leak	Not allowed		Checking with eyes	MAJ
8	Comer fragment 	$X \leq 3$ $Y \leq 3$ $Z \leq T$ Ignore Note : 1.No hurt identifying .wire.seal 2.T: Glass thickness X: Length Y: Width Z: thickness		Checking with eyes	MIN
9	Side fragment 	$Y \leq 1$ $Z \leq T$ Ignore Note : 1.No hurt identifying .wire.seal 2.T: Glass thickness X: Length Y: Width Z: thickness		Checking with eyes	MIN
	Step fragment 	$Y \leq 1$ and $Y \leq 1/4 L$		Checking with eyes	MIN
	Incision defect 	$Y \leq 1$ and accord with outside dimension		Checking with eyes	MIN



№	Items	Criterion		Checking manner	Defect classes
10	Newton's ring (CTP or Cover board)  $D=(X+Y)/2$	Under 6" (contain 6")	$D \leq 25$ $N \leq 3$ $D > 25$ $N = 0$	Checking with eyes	MIN
6"-12"	$D \leq 70$ $N \leq 5$ $D > 70$ $N = 0$				

## 11. Precautions for Use of LCD Modules

### 11.1 Handling Precautions

(1) The display panel is made of glass and polarizer. As glass is fragile. It tends to become or chipped during handling especially on the edges. Please avoid dropping or jarring. Do not subject it to a mechanical shock by dropping it or impact.

(2) If the display panel is damaged and the liquid crystal substance leaks out, be sure not to get any in your mouth. If the substance contacts your skin or clothes, wash it off using soap and water.

(3) Do not apply excessive force to the display surface or the adjoining areas since this may cause the color tone to vary. Do not touch the display with bare hands. This will stain the display area and degraded insulation between terminals (some cosmetics are determined to the polarizer).

(4) The polarizer covering the display surface of the LCD module is soft and easily scratched. Handle this polarizer carefully. Do not touch, push or rub the exposed polarizers with anything harder than an HB pencil lead (glass, tweezers, etc.). Do not put or attach anything on the display area to avoid leaving marks on. Condensation on the surface and contact with terminals due to cold will damage, stain or dirty the polarizer. After products are tested at low temperature they must be warmed up in a container before coming is contacting with room temperature air.

(5) If the display surface becomes contaminated, breathe on the surface and gently wipe it with a soft dry cloth. If it is heavily contaminated, moisten cloth with one of the following solvents

- Isopropyl alcohol
- Ethyl alcohol

Do not scrub hard to avoid damaging the display surface.

(6) Solvents other than those above-mentioned may damage the polarizer. Especially, do not use the following.

- Water
- Ketone
- Aromatic solvents

Wipe off saliva or water drops immediately, contact with water over a long period of time may cause deformation or color fading. Avoid contacting oil and fats.

(7) Exercise care to minimize corrosion of the electrode. Corrosion of the electrodes is accelerated by water droplets, moisture condensation or a current flow in a high-humidity environment.

(8) Install the LCD Module by using the mounting holes. When mounting the LCD module make sure it is free of twisting, warping and distortion. In particular, do not forcibly pull or bend the I/O cable or the backlight cable.

(9) Do not attempt to disassemble or process the LCD module.

(10) NC terminal should be open. Do not connect anything.

(11) If the logic circuit power is off, do not apply the input signals.

(12) Electro-Static Discharge Control, Since this module uses a CMOS LSI, the same careful attention should be paid to electrostatic discharge as for an ordinary CMOS IC. To prevent destruction of the elements by static electricity, be careful to maintain an optimum work environment.

- Before remove LCM from its packing case or incorporating it into a set, be sure the module and your body have the same electric potential. Be sure to ground the body when handling the LCD modules.

- Tools required for assembling, such as soldering irons, must be properly grounded. make certain the AC power source for the soldering iron does not leak. When using an electric screwdriver to attach LCM, the screwdriver should be of ground potentiality to minimize as much as possible any transmission of electromagnetic waves produced sparks coming from the commutator of the motor.

- To reduce the amount of static electricity generated, do not conduct assembling and other work under dry conditions. To reduce the generation of static electricity be careful that the air in the work is not too dried. A relative humidity of 50%-60% is recommended. As far as possible make the electric potential of your work clothes and that of the work bench the ground potential.

The LCD module is coated with a film to protect the display surface. Exercise care when peeling off this protective film since static electricity may be generated.

(13) Since LCM has been assembled and adjusted with a high degree of precision, avoid applying excessive shocks to the module or making any alterations or modifications to it.

- Do not alter, modify or change the shape of the tab on the metal frame.
- Do not make extra holes on the printed circuit board, modify its shape or change the positions of components to be attached.
- Do not damage or modify the pattern writing on the printed circuit board.
- Absolutely do not modify the zebra rubber strip (conductive rubber) or heat seal connector.
- Except for soldering the interface, do not make any alterations or modifications with a soldering iron.
- Do not drop, bend or twist LCM.

## 11.2 Storage Precautions

When storing the LCD modules, the following precaution is necessary.

- (1) Store them in a sealed polyethylene bag. If properly sealed, there is no need for the dessicant.
- (2) Store them in a dark place. Do not expose to sunlight or fluorescent light, keep the temperature between 0°C and 35°C.
- (3) The polarizer surface should not come in contact with any other objects. (We advise you to store them in the container in which they were shipped).

## 11.3 Others

Liquid crystals solidify under low temperature (below the storage temperature range) leading to defective orientation or the generation of air bubbles (black or white). Air bubbles may also be generated if the module is subject to a low temperature.

If the LCD modules have been operating for a long time showing the same display patterns, the display patterns may remain on the screen as ghost images and a slight contrast irregularity may also appear. A normal operating status can be regained by suspending use for some time. It should be noted that this phenomenon does not adversely affect performance reliability.

To minimize the performance degradation of the LCD modules resulting from destruction caused by static electricity etc., exercise care to avoid holding the following

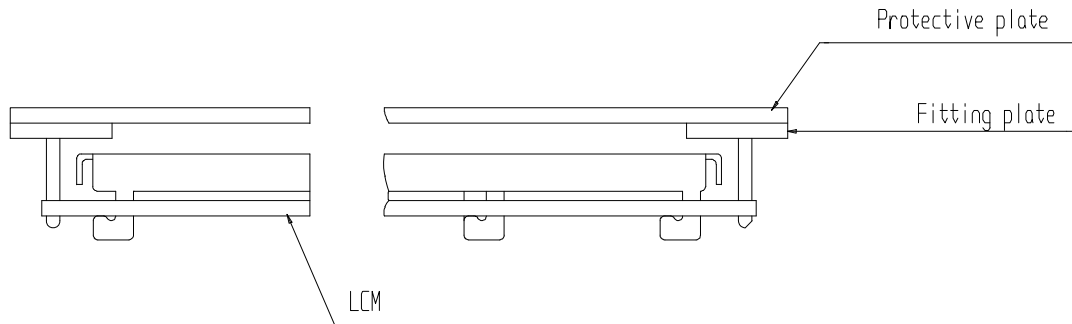
- sections when handling the modules.
- Exposed area of the printed circuit board.
  - Terminal electrode sections.

### 11.4 USING LCD MODULES

#### Installing LCD Modules

The hole in the printed circuit board is used to fix LCM as shown in the picture below. Attend to the following items when installing the LCM.

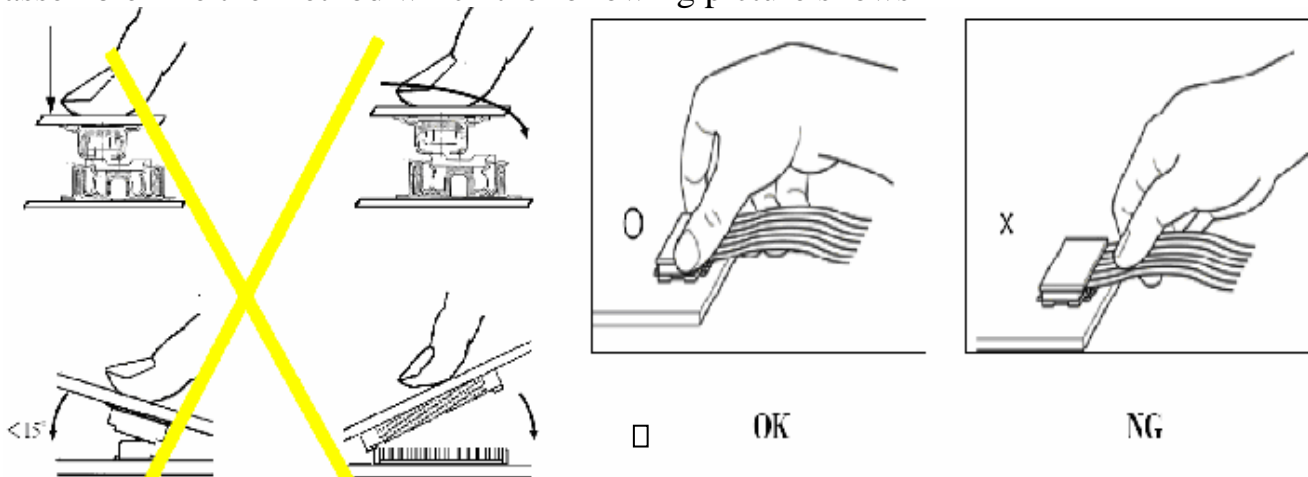
(1) Cover the surface with a transparent protective plate to protect the polarizer and LC cell.



(2) When assembling the LCM into other equipment, the spacer to the bit between the LCM and the fitting plate should have enough height to avoid causing stress to the module surface, refer to the individual specifications for measurements. The measurement tolerance should be  $\pm 0.1\text{mm}$ .

#### Precaution for assemble the module with BTB connector:

Please note the position of the male and female connector position, don't assemble or assemble like the method which the following picture shows



#### Precaution for soldering to the LCM

	Hand soldering	Machine drag	Machine press soldering
No ROHS Product	290°C~350°C. Time : 3-5S.	330°C ~350°C. Speed : 4-8mm/s.	300°C~330C. Time : 3-6S. Press: 0.8~1.2Mpa
ROHS Product	340°C~370°C. Time : 3-5S.	350°C ~370°C. Time : 4-8 mm/s.	330°C~360C. Time : 3-6S. Press: 0.8~1.2Mpa

(1)If soldering flux is used, be sure to remove any remaining flux after finishing to

soldering operation. (This does not apply in the case of a non-halogen type of flux.) It is recommended that you protect the LCD surface with a cover during soldering to prevent any damage due to flux spatters.

(2) When soldering the electroluminescent panel and PC board, the panel and board should not be detached more than three times. This maximum number is determined by the temperature and time conditions mentioned above, though there may be some variance depending on the temperature of the soldering iron.

(3) When remove the electroluminescent panel from the PC board, be sure the solder has completely melted, the soldered pad on the PC board could be damaged.

### **Precautions for Operation**

(1) It is an indispensable condition to drive LCD's within the specified voltage limit since the higher voltage than the limit cause the shorter LCD life. An electrochemical reaction due to direct current causes LCD's undesirable deterioration, so that the use of direct current drive should be avoided.

(2) Response time will be extremely delayed at lower temperature than the operating temperature range and on the other hand at higher temperature LCD's show dark color in them. However those phenomena do not mean malfunction or out of order with LCD's, Which will come back in the specified operating temperature.

(3) If the display area is pushed hard during operation, the display will become abnormal. However, it will return to normal if it is turned off and then back on.

(4) A slight dew depositing on terminals is a cause for electro-chemical reaction resulting in terminal open circuit. Usage under the maximum operating temperature, 50% RH or less is required.

(5) Input each signal after the positive/negative voltage becomes stable.

(6) Please keep the temperature within specified range for use and storage. Polarization degradation, bubble generation or polarizer peel-off may occur with high temperature and high humidity.

### **Safety**

(1) It is recommended to crush damaged or unnecessary LCDs into pieces and wash them off with solvents such as acetone and ethanol, which should later be burned.

(2) If any liquid leaks out of a damaged glass cell and comes in contact with the hands, wash off thoroughly with soap and water.

### **11.5 The disposal of waste**

For waste disposal, our recommendations are as follows, please refer to your company and the relevant provisions of the state laws and regulations of the act accordingly

1. Packing materials disposal for our packaging (carton/PS tray/EPE tray/PET tray)

1) Our company used to recycle and reuse materials, packing materials can be you just need to transfer to material recycling companies

2. Our scrap module can't be recycled for reuse, so please dispose of,

1) Our scrap module can't be recycled for reuse, products and components are "served" can lead to accidents

2) Our scrap can be transfer to material recycling companies, dismantling, to ensure that

scrap in relatively advanced technology products, environmental protection measures of relatively perfect environment for processing.

3. WEEE order must be executed in product scrap.

## **12. Prior Consult Matter**

1.①For YES standard products, we keep the right to change material, process ... for improving the product property without notice on our customer.

②For OEM products, if any change needed which may affect the product property, we will consult with our customer in advance.

2.If you have special requirement about reliability condition, please let us know before you start the test on our samples.

## **13. Factory**

FACTORY NAME: YES OPTOELECTRONICS CO.,LTD

FACTORY ADDRESS: No.288Yueling Road Anshan, Liaoning, P.R.CHINA

FACTORY PHONE: 86-412-5211859 FAX: 86-412-5211729