

Anders Product Specification

10.1" WXGA IPS TFT LCD PCAP Display LVDS interface

Manufacturer	Yes Optoelectronics Co. Ltd.
Manufacturer Part n°	YTCA10WLAH-20-100C
Anders Part n°	YTCA10WLAH-20-100C
Customer Part n°	-
Specification Revision n°	1.0
Issue Date	12/Nov/2020

Specification Approval

Company name	
Product/Project Name	
Printed name	
Job title	
Signature	
Approval Stage:	<p>This product is approved for the following production stage:</p> <p><input type="checkbox"/> Sample / Prototype</p> <p><input type="checkbox"/> Pre-Production</p> <p><input type="checkbox"/> Mass Production</p>
Approval Date	

Supplied by Anders Electronics plc

PRODUCT : LCD MODULE
MODEL NO : YTCA10WLAH-20-100C
SUPPLIER : Yes Optoelectronics Co.,Ltd
DATE : Nov.12.2020

SPECIFICATION

Prepared by	Checked	Approved
YANGCHEN	ANHUI	XIAOYU

CUSTOMER:
MODEL NO.:

DATE:

Approved	Checked	Department

ADD: No.288 Yueling Road Anshan, Liaoning, CHINA
TEL: 86-412-5211859 FAX: 86-412-5211729 P.C.:114045
E-mail : yes@yes-lcd.com, yeslcd@globalsources.com
Web: <http://www.yes-lcd.com>
<http://www.asiansources.com/sante.com>

CONTENTS

1. General Specifications	4
2.Mechanical Drawing	5
3. PIN Assignment	6
4. Absolute Maximum Rating	7
5. Electrical Characteristics	7
5.1. Recommended Operating Condition	7
5.2. Recommended Driving Condition for Backlight.....	7
6. Timing Characteristics.....	8
6.1. AC Electrical Characteristics.....	8
6. 2.DC Electrical Characteristics.....	9
6. 3.Timing	10
6. 4.Power ON/OFF Sequence	10
7. Optical Characteristics	12
8. Environmental/Reliability Test.....	15
9. Packing Drawing	16
10. Standard Specifications For Product Quality.....	17
10.1. Manner of test:	17
10.2. Quality specification	17
10.3 Definition of area	17
10.4. Standard of appearance.....	18
11. Precautions for Use of LCD Modules	19
11.1 Handing Precautions	22
11.2 Storage Precautions	23
11.3 Others	23
11.4 USING LCD MODULES.....	23
11.5The disposal of waste	25
12. Prior Consult Matter	25
13. Factory	25

1. General Specifications

No.	Item	Contents	Unit
1	Size	10.1	inch
2	Resolution	1280RGB*800	
3	Interface	LVDS	
4	Color Depth	16	M
5	Technology Type	a-Si TFT active matrix	
6	Pixel Pitch	0.1695*0.1695	mm
7	Pixel Arrangement	RGB-stripe	
8	Display Mode	Normally Black, Transmissive, IPS	
9	Viewing Direction	ALL	
10	LCM (W x H x D)	258*176.6*7.18	mm
11	Active Area (W x H)	216.96*135.6	mm
12	With/Without TSP	With CTP	
13	LED Numbers	42	

Touch Panel Parameter

No.	Features	Details	Note
1	CTP Technology	Mutual capacitor	
2	Input Method	Finger	
3	Touch point	5 Point	
4	Positional Accuracy	2.5mm at 4 edges and 1.5mm at center	Unit: mm
5	Cover glass	Sodalime glass, chemically hardened	
6	Hardness	6H	
7	Surface treatment	NO	
8	Optical transmittance	87%	
9	Touch controller	ILI2511	
10	Interface to Host	USB	
11	Connection Type	ZIF Connector	

2.Mechanical Drawing

<i>CUSTOMER'S APPROVED:</i>	<i>DATE:</i>	<i>PAGE:</i>
-----------------------------	--------------	--------------

CTP PIN:

1	2	3	4	5	6
VCC	VCC	U+	U-	GND	GND

Backlight circuit diagram:

$V_f = 8.7V(\text{min.})$ $9.3V(\text{typ.})$ $10.5V(\text{max.})$

$I_f = 280\text{mA}$

ALL VIEW

1280RGB * 800

(0, 0)

BLACK PRINTING ON BACK GLASS
背面印黑色油墨丝印

CTP PIN:

1	2	3	4	5	6
VCC	VCC	U+	U-	GND	GND

Backlight circuit diagram:

$V_f = 8.7V(\text{min.})$ $9.3V(\text{typ.})$ $10.5V(\text{max.})$

$I_f = 280\text{mA}$

PET TAPE

Steel Strip Feeding

<p>NO.</p> <p>DESCRIPTION</p> <p>DATE</p>	<p>UNIT:mm</p> <p>CHK</p> <p>Appv</p>
<p>Modify 27,37 pin assignment.</p> <p>2020.11.12</p>	<p>Unit:mm</p> <p>CHK</p> <p>Appv</p>

Operating Voltage: $VDD=2.5V(\text{typ.})$
 $VCC=3.3V(\text{typ.})$

Resolution: 1280RGB*800

Color: 16M

Interface: LVDS

Display type: Transmissive, IPS
Normally black

Viewing Direction: ALL VIEW

Operating Temp: $-20^{\circ}\text{C}\sim 70^{\circ}\text{C}$

Storage Temp: $-30^{\circ}\text{C}\sim 80^{\circ}\text{C}$

CTP Driver IC: IL12511A

Unspecified tolerance: ± 0.3

LCM Luminance: 600cd/m² (typ.)

TPP PIN:

PIN NO.	SIGNAL
1	VCOM
2	VDD
3	VDD
4	NC
5	NC
6	NC
7	GND
8	Rxin0-
9	Rxin0+
10	GND
11	Rxin1-
12	Rxin1+
13	GND
14	Rxin2-
15	Rxin2+
16	GND
17	RxCLK-
18	RxCLK+
19	GND
20	Rxin3-
21	Rxin3+
22	GND
23	NC
24	NC
25	GND
26	NC
27	NC
28	NC
29	AVDD
30	GND
31	LED-
32	LED-
33	NC
34	NC
35	VGL
36	NC
37	NC
38	VGH
39	LED+
40	LED+

Operating Voltage: $VDD=2.5V(\text{typ.})$
 $VCC=3.3V(\text{typ.})$

Resolution: 1280RGB*800

Color: 16M

Interface: LVDS

Display type: Transmissive, IPS
Normally black

Viewing Direction: ALL VIEW

Operating Temp: $-20^{\circ}\text{C}\sim 70^{\circ}\text{C}$

Storage Temp: $-30^{\circ}\text{C}\sim 80^{\circ}\text{C}$

CTP Driver IC: IL12511A

Unspecified tolerance: ± 0.3

LCM Luminance: 600cd/m² (typ.)

TPP PIN:

PIN NO.	SIGNAL
1	VCOM
2	VDD
3	VDD
4	NC
5	NC
6	NC
7	GND
8	Rxin0-
9	Rxin0+
10	GND
11	Rxin1-
12	Rxin1+
13	GND
14	Rxin2-
15	Rxin2+
16	GND
17	RxCLK-
18	RxCLK+
19	GND
20	Rxin3-
21	Rxin3+
22	GND
23	NC
24	NC
25	GND
26	NC
27	NC
28	NC
29	AVDD
30	GND
31	LED-
32	LED-
33	NC
34	NC
35	VGL
36	NC
37	NC
38	VGH
39	LED+
40	LED+

3. PIN Assignment

Pin No.	Symbol	I/O	Function	Remark
1	VCOM	P	Common Voltage.	
2	VDD	P	Power Supply.	
3	VDD	P	Power Supply.	
4	NC	-	No connection.	
5	NC	-	No connection.	
6	NC	-	No connection.	
7	GND	P	Ground.	
8	Rxin0-	I	-LVDS Differential Data Input.	R0-R5, G0
9	Rxin0+	I	+LVDS Differential Data Input.	
10	GND	P	Ground.	
11	Rxin1-	I	-LVDS Differential Data Input.	G1~G5, B0, B1
12	Rxin1+	I	+LVDS Differential Data Input.	
13	GND	P	Ground.	
14	Rxin2-	I	-LVDS Differential Data Input.	B2-B5, HS, VS, DE
15	Rxin2+	I	+LVDS Differential Data Input.	
16	GND	P	Ground.	
17	RxCLK-	I	-LVDS Differential Clock Input.	LVDS CLK
18	RxCLK+	I	+LVDS Differential Clock Input.	
19	GND	P	Ground.	
20	Rxin3-	I	-LVDS Differential Data Input.	R6, R7, G6, G7, B6, B7
21	Rxin3+	I	+LVDS Differential Data Input.	
22	GND	P	Ground.	
23	NC	-	No connection.	
24	NC	-	No connection.	
25	GND	P	Ground.	
26	NC	-	No connection.	
27	NC	-	No connection.	
28	NC	-	No connection.	
29	AVDD	P	Power for Analog Circuit.	
30	GND	P	Ground.	
31	LED-	P	LED Cathode.	
32	LED-	P	LED Cathode.	
33	NC	-	No connection.	
34	NC	-	No connection.	
35	VGL	P	Gate OFF Voltage.	
36	NC	-	No connection.	
37	NC	-	No connection.	
38	VGH	P	Gate ON Voltage.	
39	LED+	P	LED Anode.	
40	LED+	P	LED Anode.	

4. Absolute Maximum Rating

AGND = GND = 0V, Ta = 25°C

Item	Symbol	Min	Max	Unit	Remark
Power Voltage	VDD	-0.3	3.9	V	
	AVDD	-0.3	14	V	
	VGH	-0.3	42.0	V	
	VGL	-19	0.3	V	
	VGH-VGL	12	40.0	V	
Operating Temperature	T _{OPR}	-20	70	°C	
Storage Temperature	T _{STG}	-30	80	°C	

Note1: The absolute maximum rating values of this product are not allowed to be exceeded at any times. Should a module be used with any of the absolute maximum ratings exceeded, the characteristics of the module may not be recovered, or in an extreme case, the module may be permanently destroyed.

5. Electrical Characteristics

5.1. Recommended Operating Condition

AGND = GND = 0V, Ta = 25°C

Item	Symbol	Min	Typ.	Max	Unit	Remark
Power Voltage	VDD	2.3	2.5	2.7	V	
Input logic high voltage	V _{ih}	0.8 VDD	-	3.6	V	
Input logic low voltage	V _{il}	0	-	0.2VDD	V	

5.2. Recommended Driving Condition for Backlight

Ta = 25°C

Item	Symbol	Min	Typ.	Max	Unit	Remark
Forward Voltage	V _f	8.7	9.3	10.5	V	
Forward Current	I _f		280		mA	
Operating Life Time	-	30000			Hours	

Note 1: Ta means ambient temperature of TFT-LCD module.

Note 2: I_F, V_F are defined for one channel LED. There are two LED channel in back light unit.

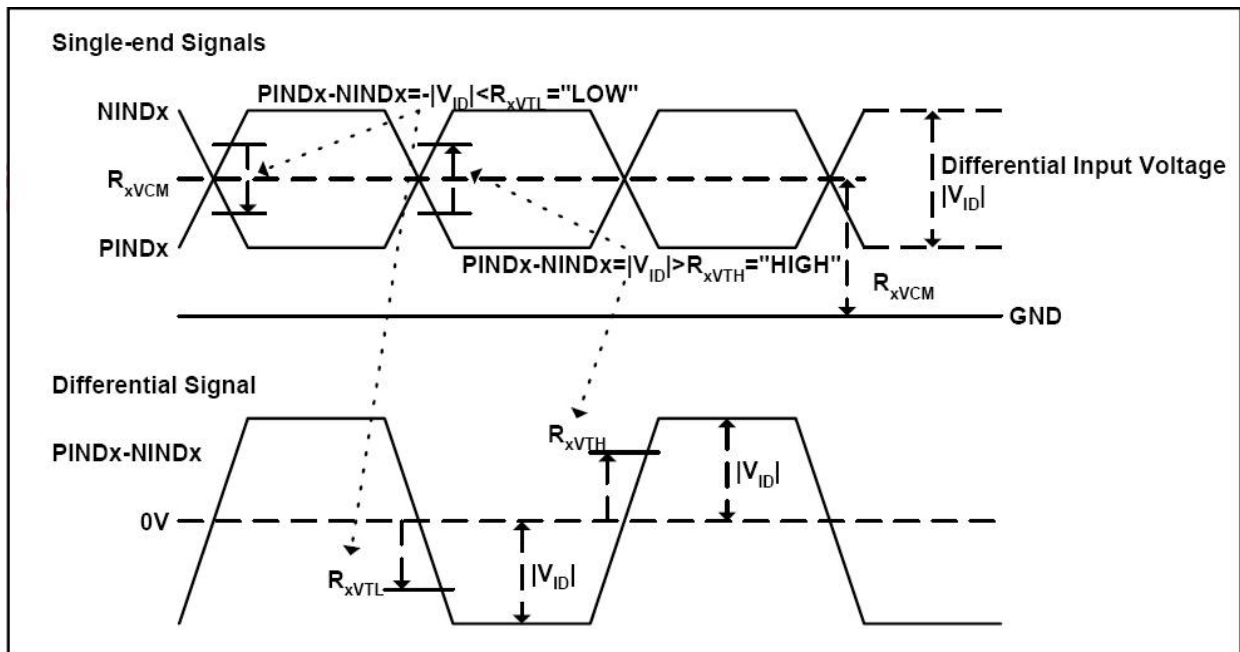
Note 3: If the module is driven by high current or at high ambient temperature & humidity condition. The operating life will be reduced.

Note 4: Operating life means brightness goes down to 50% initial brightness. Minimum operating life time is estimated data.

6. Timing Characteristics

6.1. AC Electrical Characteristics

Parameter	Symbol	Values			Unit	Remark
		Min.	Typ.	Max.		
LVDS Differential input high Threshold voltage	R_{xVTH}	-	-	+100	mV	$R_{xVCM}=1.2V$
LVDS Differential input low Threshold voltage	R_{xVTL}	-100	-	-	mV	
LVDS Differential input common mode voltage	R_{xVCM}	0.7	-	1.6	V	
LVDS Differential voltage	$ V_{ID} $	200	-	600	mV	



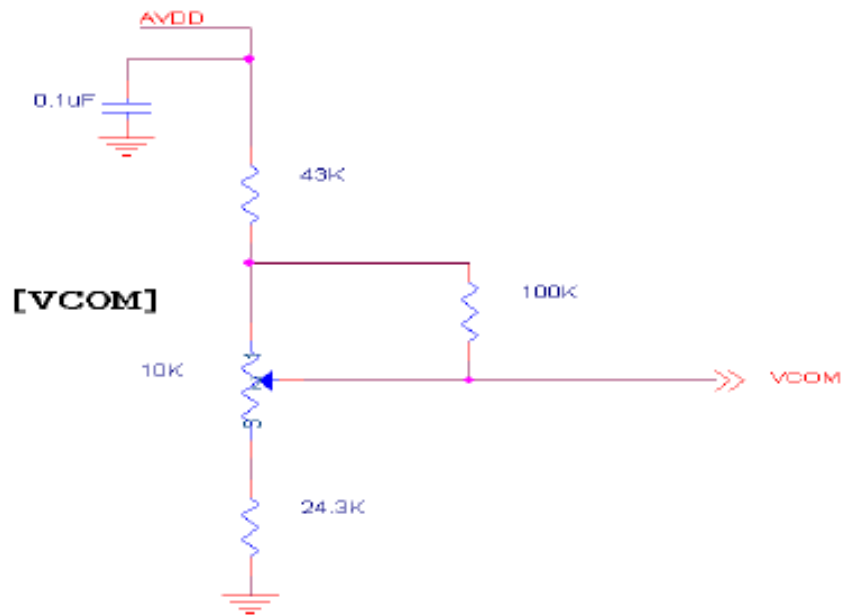
6. 2.DC Electrical Characteristics

Item	Symbol	Values			Unit	Remark
		Min.	Typ.	Max.		
Power voltage	VDD	2.3	2.5	2.7	V	Note 2
	AVDD	8.0	8.2	8.4	V	
	V _{GH}	21.7	22	22.3	V	
	V _{GL}	-7.3	-7	-6.7	V	
Input signal voltage	VCOM	2.7	3.0	3.3	V	Note 4
Input logic high voltage	V _{IH}	0.8 VDD	-	3.6	V	Note 3
Input logic low voltage	V _{IL}	0	-	0.2 DV _{DD}	V	

Note 1: Be sure to apply VDD and V_{GL} to the LCD first, and then apply V_{GH}.

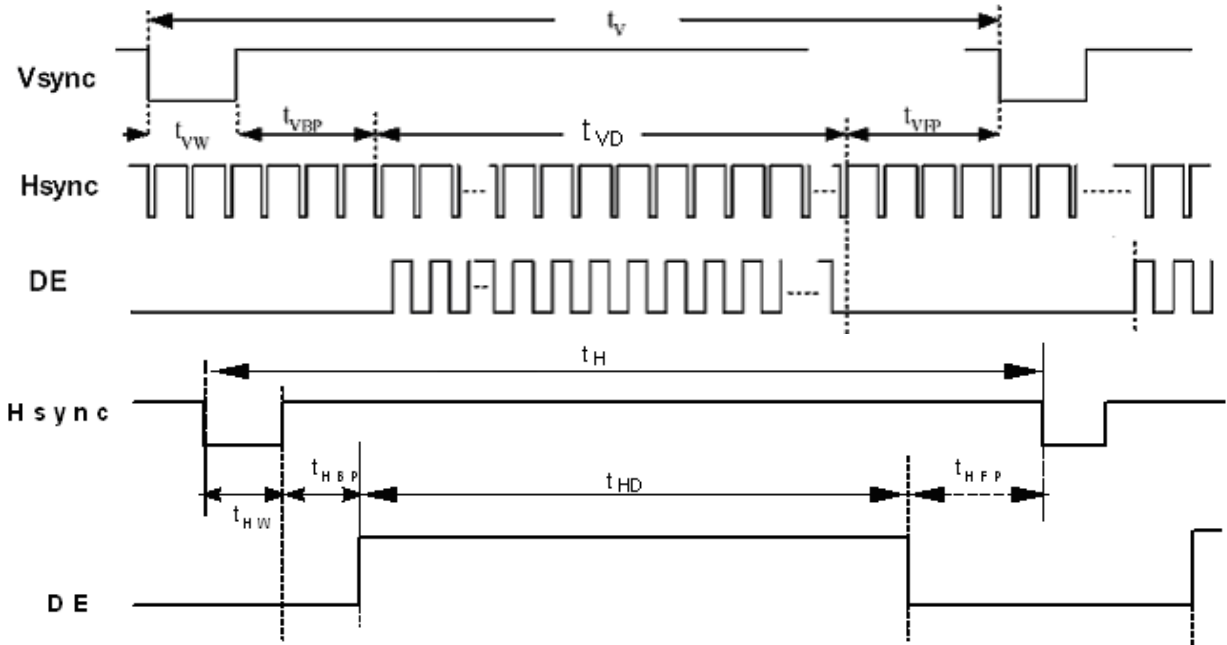
Note 2: VDD setting should match the signals output voltage (refer to Note 3) of customer's system board.

Note 4: Typical VCOM is only a reference value, it must be optimized according to each LCM. Be sure to use VR.

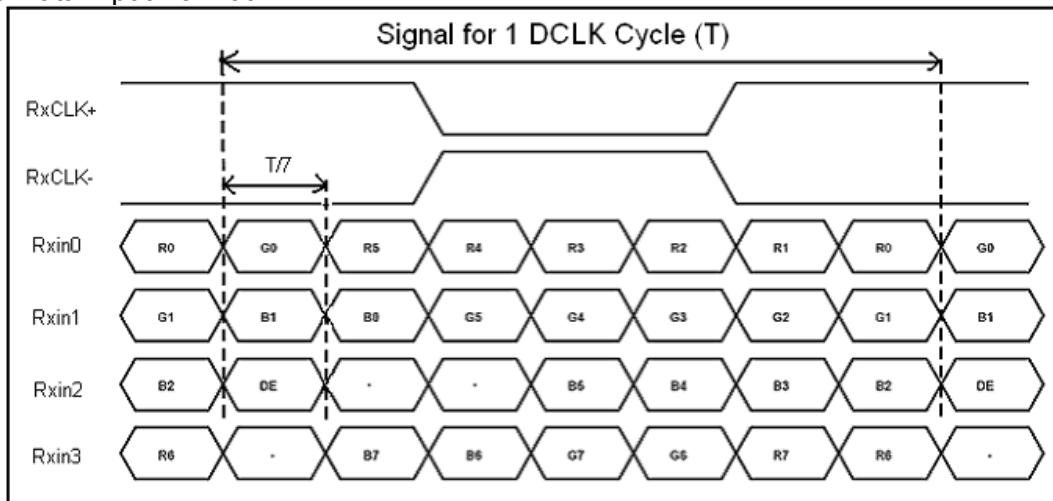


6. 3.Timing

Item	Symbol	Values			Unit	Remark
		Min.	Typ.	Max.		
Clock Frequency	1/Tc	68.9	71.1	73.4	MHz	Frame rate =60Hz
Horizontal display area	tHD	1280				
HS period time	tH	1410	1440	1470	Tc	
HS Width +Back Porch +Front Porch	tHW+ tHBP +tHFP	60	160	190	Tc	
Vertical display area	tVD	800				
VS period time	tV	815	823	833	tH	
VS Width +Back Porch +Front Porch	tVW+ tVBP +tVFP	15	23	33	tH	

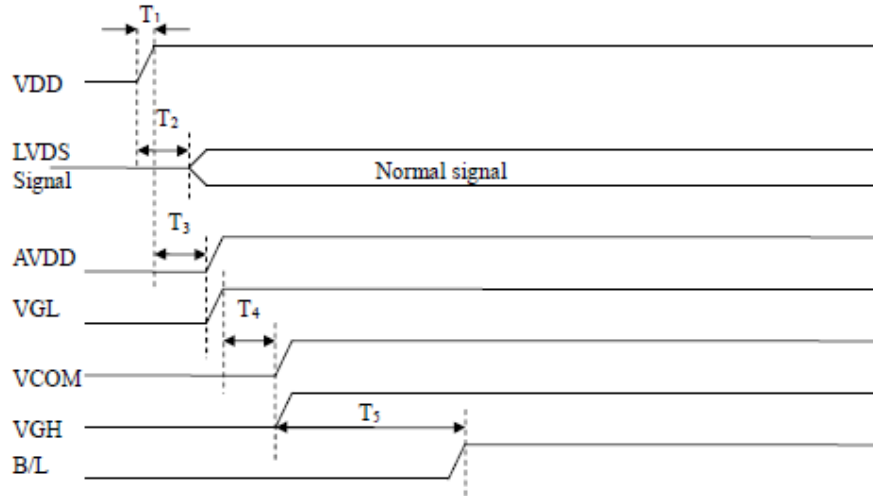


LVDS Data Input Format



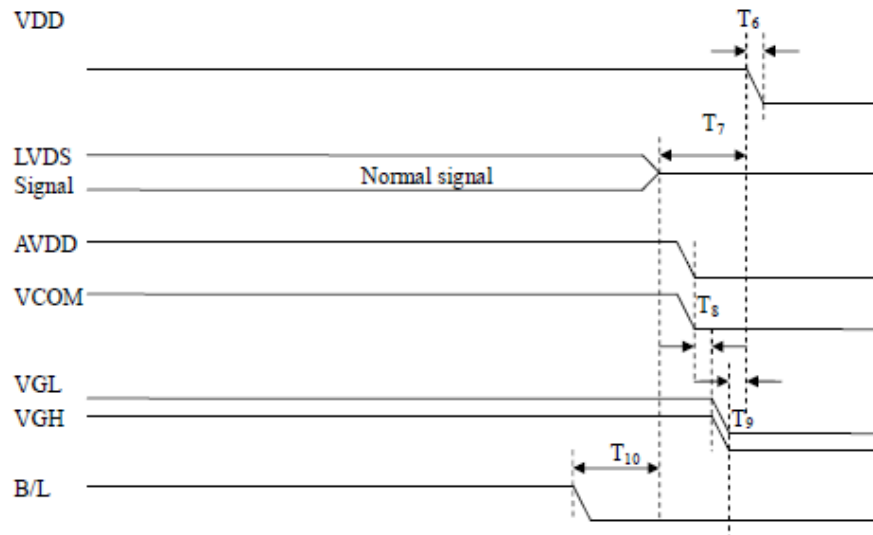
6. 4.Power ON/OFF Sequence

Power ON Sequence



Symbol	Value			Unit Min.
	Min.	Typ.	Max.	
T1	0.5	2	10	ms
T2	0	5	50	ms
T3	0	5	50	ms
T4	0	6	100	ms
T5	120	130	200	ms

Power OFF Sequence



Symbol	Value			Unit Min.
	Min.	Typ.	Max.	
T6	0.5	2	10	ms
T7	0	7	50	ms
T8	0	5	10	ms
T9	0	1	10	ms
T10	0	2	100	ms

7. Optical Characteristics

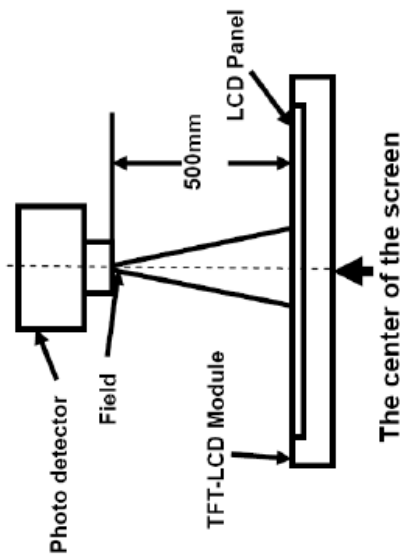
Item	Symbol	Condition	Min	Typ	Max	Unit	Remark
View Angles	θT	CR \geq 10	75	85	-	Degree	Note 2
	θB		75	85	-		
	θL		75	85	-		
	θR		75	85	-		
Contrast Ratio	CR	$\theta = 0^\circ$	(600)	(800)	-		Note 1 Note 3
Response Time	T _{ON} +T _{OFF}	25°C	-	25	50	ms	Note 1 Note 4
Chromaticity	W _x	x	-	(0.31)	-		Note 1 Note 5
	W _y	y	-	(0.32)	-		
	R _x	x	-	(TBD)	-		
	R _y	y	-	(TBD)	-		
	G _x	x	-	(TBD)	-		
	G _y	y	-	(TBD)	-		
	B _x	x	-	(TBD)	-		
B _y	y	-	(TBD)	-			
Uniformity	U		75	80	-	%	Note 5
Luminance	L		-	600	-	cd/m ²	Note 1 Note 5

Test Conditions:

1. If=280mA(Backlight current), VDD = 2.5 V, the ambient temperature is 25°C.
2. The test systems refer to Note 2.

Note1: Definition of optical measurement system.

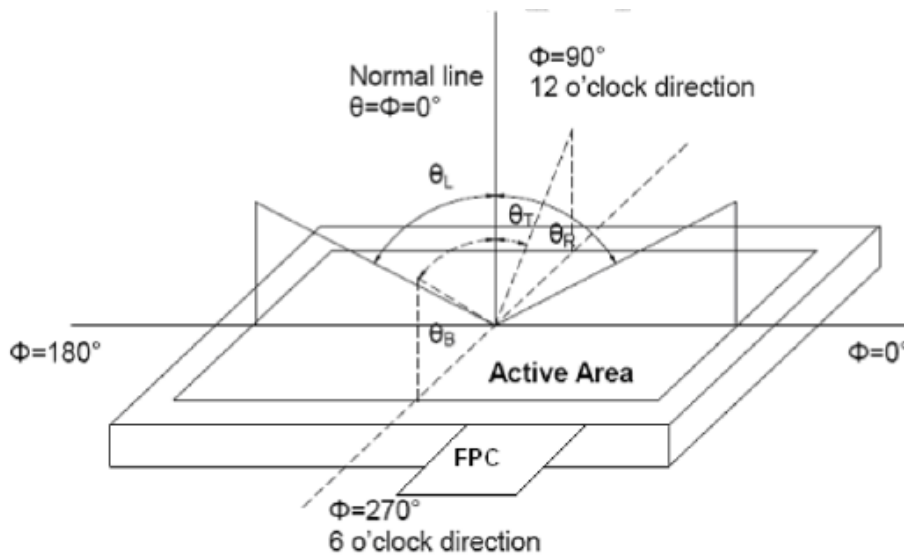
The optical characteristics should be measured in dark room. After 5Minutes operation, the optical properties are measured at the center point of the LCD screen. ALL input terminals LCD panel must be ground when measuring the center area of the panel.



Item	Photo detector	Field
Contrast Ratio	CS1000	1°
Luminance		
Lum Uniformity		
Chromaticity	CS1000	
Response Time	DMS703	-

Note2: Definition of viewing angle range and measurement system.

Viewing angle is measured at the center point of the LCD by CONOSCOPE (DMS703)



Note3: Definition of contrast ratio

White state :The state is that the LCD should drive by Vwhite.

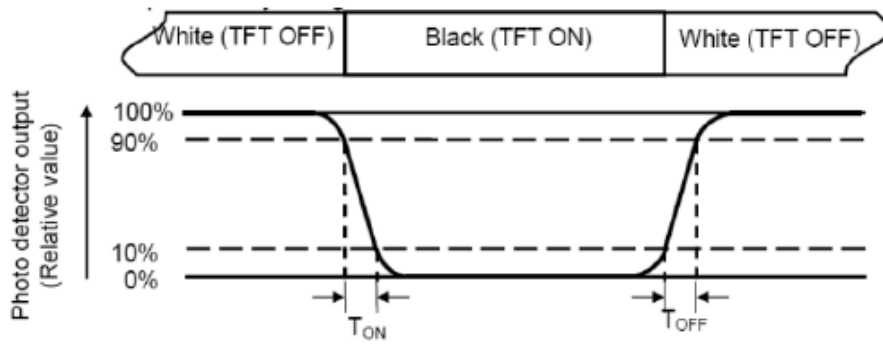
$$\text{Contrast ratio(CR)} = \frac{\text{Luminance measured when LCD is on the "White" state}}{\text{Luminance measured when LCD is on the "Black" state}}$$

"Black state ":The state is that the LCD should drive by Vblack.

Vwhite: To be determined Vblack: To be determined

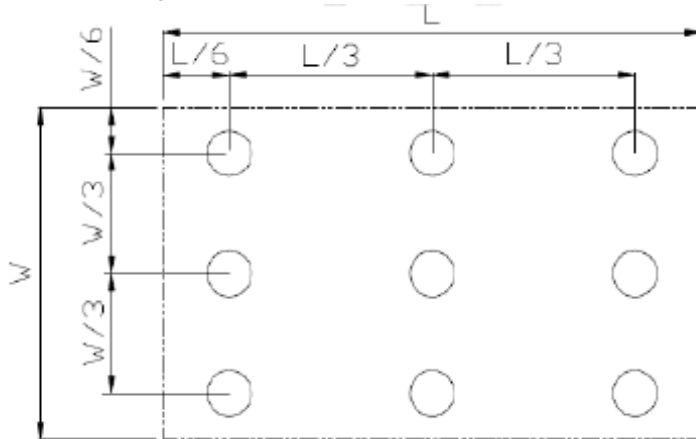
Note4: Definition of Response time

The response time is defined as the LCD optical switching time interval between "White"state and "Black" state. Rise time (T_{ON})is the time between photo detector output intensity changed from 90% to 10%.And fall time (T_{OFF})is the time between photo detector output intensity changed from 10% to90%.



Note5: Definition of color chromaticity (CIE1931)
Color coordinates measured at center point of LCD.

Note6: Definition of Luminance Uniformity
Active area is divided into 9 measuring areas(Refer Fig.2).Every measuring point is placed at the center of each measuring area.
Luminance Uniformity (U)=Lmin/Lmax
L-Active area length W-Active area width



L max: The measured Maximum luminance of all measurement position.
L min: The measured Minimum luminance of all measurement position.

Note7: Definition of luminance: Measure the luminance of white state at center point.

8. Environmental/Reliability Test

No.	Test Item	Test Condition	Inspection after test
1	High Temperature Storage	80±2°C/240 hours	Inspection after 2~4hours storage at room temperature, the sample shall be free from defects: 1.Air bubble in the LCD; 2.Sealleak; 3.Non-display; 4.Missing segments; 5.Glass crack; 6.Current Idd is twice higher than initial value.
2	Low Temperature Storage	-30±2°C/240 hours	
3	High Temperature Operating	70±2°C/240 hours	
4	Low Temperature Operating	-20±2°C/240 hours	
5	Temperature Cycle	-30°C~ 25°C~ 80°C × 10cycles (30min.) (5min.) (30min.)	
6	Damp Proof Test	40°C±5°C×90%RH/240 hours	
7	Vibration Test	Frequency : 10Hz~55Hz~10Hz Amplitude : 1.5mm, X, Y, Z direction for total 3hours (Packing condition)	
8	Dropping test	Drop to the ground from 1m height, one time,every side of carton. (Packing condition)	
9	ESD test	Voltage:±8KV R: 330Ω C: 150pF Air discharge, 10time Voltage:±6KV R: 330Ω C: 150pF Contact discharge, 10time	

Remark:

1. The test samples should be applied to only one test item.
2. Sample size for each test item is 5~10pcs.
3. For Damp Proof Test, Pure water(Resistance> 10MΩ) should be used.
4. In case of malfunction defect caused by ESD damage, if it would be recovered to normal state after resetting, it would be judge as a good part.
5. Failure Judgment Criterion: Basic Specification, Electrical Characteristic, Mechanical Characteristic, Optical Characteristic.
6. Please use automatic switch menu(or roll menu) testing mode when test operating mode.

9. Packing Drawing(TBD)

10. Standard Specifications For Product Quality

10.1. Manner of test:

10.1.1 The test must be under 40W fluorescent light, and the distance of view must be at 35±5cm

10.1.2 Room temperature 25±5°C Humidity: (65±5)%RH.

10.1.3 If the product is uneven and bright spot, use 2%ND filter to check and confirm. Not visible, OK.

10.1.4 Inspection Angle:

The vision of inspector should be perpendicular to the surface of the Module.

10.1.5 Inspection time :

Perceptibility Test Time: 20 seconds max.

10.2. Quality specification

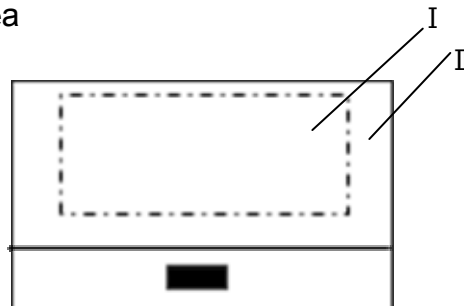
It shall be based on GB2828, inspection level II.

	IETM	CHECK LEVEL	AQL
MAJOR (MA)	1.Liquid crystal leakage 2.Wrong polarizer 3.Outside dimension 4. Bright dot,Dark dot 5. Display abnormal 6. Class crack	II	0.65
MINOR (MI)	1. Spot Defect (Including black spot,white spot,pinhole,foreign particle,bubbles,hurt) 2. fragment 3. Line Defect (Including black line,white line,scratch) 4. Incision defect 5. Newton's ring 6. Other visual defects	II	1.0

10.3 Definition of area

10.3.1 I area: viewing area


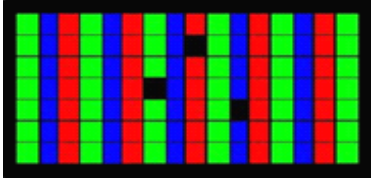
II area: outside viewing area



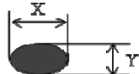

10.4. Standard of appearance test for I area: (unit: mm)

NOTE : Defect ignore for II area.

10.4.1 Bright/Dark Dots explain



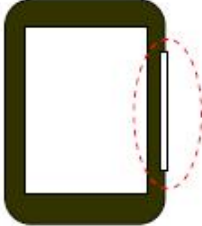



Name	Explain	Definition
Bright dot	Dots appear bright and unchanged in size in which LCD panel is displaying under black pattern 	<p>The definition of dot: The size of a defective dot over 1/2 of single pixel dot is regarded as one defective dot .</p> <p>Note:One pixel consists of 3 sub-pixels, including R,G, and B dot.(Sub-pixel = Dot)</p>
Dark dot	Dots appear dark and unchanged in size in which LCD panel is displaying under pure red, green, blue pattern. 	
Adjacent Dot	Adjacent two sub-pixel are defect (define two dot defect)	




10.4.2 Inspection standard

No	Items	Criterion				Checking manner	Defect classes
1	Bright/dark dot	LCD≤4.3"	4.3"<LCD<7"	7"≤LCD≤12"	LCD> 12"	Checking with eyes	MAJ
		Bright dot: N≤2 Dark dot: N≤3 Total: N≤4	Bright dot: N≤3 Dark dot: N≤4 Total: N≤6	Bright dot: N≤4 Dark dot: N≤5 Total: N≤8	Bright dot: N≤5 Dark dot: N≤6 Total: N≤10		
		The distance between the two defect dots shall be greater than 5mm The distance between two defect dots above 7 inches shall be more than 10 mm Note: Adjacent dot defect N≤0					
2	Spot defects (black and white spot, pinhole, foreign matter, dent, backlight foreign matter)  D=(X+Y)/2	D≤0.15 Ignore 0.15<D≤0.3 N≤3 0.3<D N=0	D≤0.2 Ignore 0.2<D≤0.5 N≤4 0.5<D N=0	D≤0.2 Ignore 0.2<D≤0.5 N≤5 0.5<D N=0	D≤0.2 Ignore 0.2<D≤0.5 N≤6 0.5<D N=0	Checking with eyes	MIN
3	Bubble  D=(X+Y)/2	D≤0.2 Ignore 0.2<D≤0.5 N≤3 0.5<D N=0	D≤0.2 Ignore 0.2<D≤0.5 N≤4 0.5<D N=0	D≤0.2 Ignore 0.2<D≤0.5 N≤5 0.5<D N=0	D≤0.2 Ignore 0.2<D≤0.5 N≤6 0.5<D N=0		

No	Items	Criterion				Checking manner	Defect classes
		LCD≤4.3"	4.3"<LCD<7"	7"≤LCD≤12"	LCD>12"		
4	Line defects(black and white line, backlight foreign matter etc.) 	W≤0.03 Ignore 0.03<W≤0.06 L≤5 N≤3 W>0.06 L>5 N=0	W≤0.03 Ignore 0.03<W≤0.1 L≤5 N≤4 W>0.1 L>5 N=0	W≤0.03 Ignore 0.03<W≤0.1 L≤5 N≤5 W>0.1 L>5 N=0	W≤0.03 Ignore 0.03<W≤0.1 L≤5 N≤6 W>0.1 L>5 N=0	Checking with eyes	MIN
5	Scratch 	W≤0.03 Ignore 0.03<W≤0.2 1.0<L≤5.0 N≤3 W>0.2 L>5 N=0	W≤0.03 Ignore 0.03<W≤0.2 1.0<L≤5.0 N≤4 W>0.2 L>5 N=0	W≤0.03 Ignore 0.03<W≤0.2 1.0<L≤5.0 N≤5 W>0.2 L>5 N=0	W≤0.03 Ignore 0.03<W≤0.2 1.0<L≤5.0 N≤6 W>0.2 L>5 N=0	Checking with eyes	MIN
6	Display abnormal	Not allowed				Checking with eyes	MAJ
7	Outside dimension	Accord with drawing				Calipers	MAJ
8	Class crack	Not allowed				Checking with eyes	MAJ
9	Leak	Not allowed				Checking with eyes	MAJ
10	Comer and side fragment			1. Comer fragment: X , Y≤1mm Z≤T/2 allowed 2. Side fragment: X≤2.0mm Y≤1mm Z≤T/2 allowed		Calipers& Eyes	MIN
11	Crack			NG		Eyes	MAJ
12	Newton's ring (CTP or Cover board)			Newton's ring<1/9 area ,after lightened ,no influence on words and lines		Checking with eyes	MIN

TP 标准

No	Items	Phenomenon/picture	Criterion	Checking manner	Defect class
1	Outside dimension		Accord with drawing	Calipers& Eyes	MIN
2	Color deviation	Difference of ink color	Obvious deviation compared with samples	Eyes	MIN
3	Ink pinhole	<p>油墨针孔</p> 	No any holes near VA side 3mm Out of VA: D≤0.15mm N≤1 ,no present in reflection condition.	Eyes Film	MIN
4	Ink saw tooth	<p>印刷锯齿</p> 	W≤0.15mm N=1	Eyes Film	MIN
5	Ink light leakage	<p>油墨漏光</p> 	1、 width of light leakage at the edge area ≤0.15mm OK 2、 width of light leakage at the edge area >0.15mm NG	Eyes Film	MIN
6	Cover glass profile		No ink, adhesive, oil stain, etc.	Eyes	MIN
7	IR(LED)dot/black-white dot		$\phi \leq 0.2$ 、N≤1 $0.15 < \phi$ 、not allowed	Eyes& Film	MIN
8	IR(LED)dot black-white dot/different color		no present when use all viewing angle to determine at 35cm ,allowed	Eyes	MIN
9	Shooting hole		$\phi \leq 0.2$ 、N≤1 $0.15 < \phi$ 、not allowed	Eyes& Film	MIN

10	LOGO/ICON black-white dot		Diagram clear $\phi \leq 0.2$, $N \leq 1$	Eyes & Film	MIN
11	FPC warped	FPC翘曲 	OK	Eyes	MIN
12	FPC broken, stained, oxidation	FPC折伤 	NG	Eyes	MAJ
13	Stain		No evident finger print, oil print, gelatinoids, etc.	Eyes	MIN
14	Sponge		Presented in AA area. NG	Eyes	MIN
15	Protection foil	Finished Protection foil	<p>1、 Protection foil stain: In normal inspection condition ,finger print, pen print and gelatinoids are presented. NG</p> <p>2、 Bubble≤ 5.0mm ,or according to client's limited sample</p> <p>3、 Protection foil worn and warped. NG</p> <p>4、 Scratch: $W \leq 0.10$mm, ignore length; 0.10mm < $W \leq 0.20$mm, $L \leq 30$mm, and $N \leq 4, d > 15$mm; OK; $L > 30$mm or $W > 0.20$mm; NG</p>	Eyes & Film	MIN

11. Precautions for Use of LCD Modules

11.1 Handling Precautions

- (1) The display panel is made of glass and polarizer. As glass is fragile. It tends to become or chipped during handling especially on the edges. Please avoid dropping or jarring. Do not subject it to a mechanical shock by dropping it or impact.
 - (2) If the display panel is damaged and the liquid crystal substance leaks out, be sure not to get any in your mouth. If the substance contacts your skin or clothes, wash it off using soap and water.
 - (3) Do not apply excessive force to the display surface or the adjoining areas since this may cause the color tone to vary. Do not touch the display with bare hands. This will stain the display area and degraded insulation between terminals (some cosmetics are determined to the polarizer).
 - (4) The polarizer covering the display surface of the LCD module is soft and easily scratched. Handle this polarizer carefully. Do not touch, push or rub the exposed polarizer with anything harder than an HB pencil lead (glass, tweezers, etc.). Do not put or attach anything on the display area to avoid leaving marks on. Condensation on the surface and contact with terminals due to cold will damage, stain or dirty the polarizer. After products are tested at low temperature they must be warmed up in a container before coming is contacting with room temperature air.
 - (5) If the display surface becomes contaminated, breathe on the surface and gently wipe it with a soft dry cloth. If it is heavily contaminated, moisten cloth with one of the following solvents
 - Isopropyl alcohol
 - Ethyl alcohol
 - Do not scrub hard to avoid damaging the display surface.
 - (6) Solvents other than those above-mentioned may damage the polarizer. Especially, do not use the following.
 - Water
 - Ketone
 - Aromatic solvents

Wipe off saliva or water drops immediately, contact with water over a long period of time may cause deformation or color fading. Avoid contacting oil and fats.
 - (7) Exercise care to minimize corrosion of the electrode. Corrosion of the electrodes is accelerated by water droplets, moisture condensation or a current flow in a high-humidity environment.
 - (8) Install the LCD Module by using the mounting holes. When mounting the LCD module make sure it is free of twisting, warping and distortion. In particular, do not forcibly pull or bend the I O cable or the backlight cable.
 - (9) Do not attempt to disassemble or process the LCD module.
 - (10) NC terminal should be open. Do not connect anything.
 - (11) If the logic circuit power is off, do not apply the input signals.
 - (12) Electro-Static Discharge Control, Since this module uses a CMOS LSI, the same careful attention should be paid to electrostatic discharge as for an ordinary CMOS IC. To prevent destruction of the elements by static electricity, be careful to maintain an optimum work environment.
 - Before remove LCM from its packing case or incorporating it into a set, be sure the module and your body have the same electric potential. Be sure to ground the body when handling the LCD modules.
 - Tools required for assembling, such as soldering irons, must be properly grounded. make certain the AC power source for the soldering iron does not leak. When using an electric screwdriver to attach LCM, the screwdriver should be of ground potentiality to minimize as much as possible any transmission of electromagnetic waves produced sparks coming from the commutator of the motor.
 - To reduce the amount of static electricity generated, do not conduct assembling and other work under dry conditions. To reduce the generation of static electricity be careful that the air in the work is not too dried. A relative humidity of 50%-60% is recommended. As far as possible make the electric potential of your work clothes and that of the work bench the ground potential.

The LCD module is coated with a film to protect the display surface. Exercise care when peeling off this protective film since static electricity may be generated.
-

- (13) Since LCM has been assembled and adjusted with a high degree of precision, avoid applying excessive shocks to the module or making any alterations or modifications to it.
- Do not alter, modify or change the shape of the tab on the metal frame.
 - Do not make extra holes on the printed circuit board, modify its shape or change the positions of components to be attached.
 - Do not damage or modify the pattern writing on the printed circuit board.
 - Absolutely do not modify the zebra rubber strip (conductive rubber) or heat seal connector.
 - Except for soldering the interface, do not make any alterations or modifications with a soldering iron.
 - Do not drop, bend or twist LCM.

11.2 Storage Precautions

When storing the LCD modules, the following precaution is necessary.

- (1) Store them in a sealed polyethylene bag. If properly sealed, there is no need for the dessicant.
- (2) Store them in a dark place. Do not expose to sunlight or fluorescent light, keep the temperature between 0°C and 35°C.
- (3) The polarizer surface should not come in contact with any other objects. (We advise you to store them in the container in which they were shipped).

11.3 Others

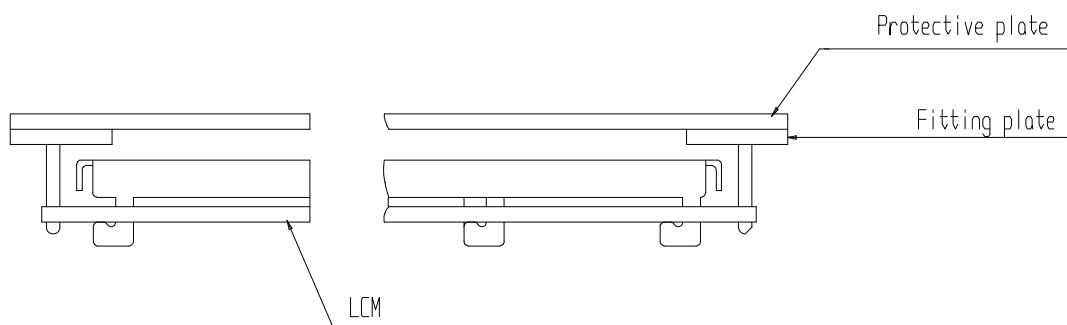
- (1) Liquid crystals solidify under low temperature (below the storage temperature range) leading to defective orientation or the generation of air bubbles (black or white). Air bubbles may also be generated if the module is subject to a low temperature.
- (2) If the LCD modules have been operating for a long time showing the same display patterns, the display patterns may remain on the screen as ghost images and a slight contrast irregularity may also appear. A normal operating status can be regained by suspending use for some time. It should be noted that this phenomenon does not adversely affect performance reliability.
- (3) To minimize the performance degradation of the LCD modules resulting from destruction caused by static electricity etc., exercise care to avoid holding the following sections when handling the modules.
 - Exposed area of the printed circuit board.
 - Terminal electrode sections.

11.4 USING LCD MODULES

Installing LCD Modules

The hole in the printed circuit board is used to fix LCM as shown in the picture below. Attend to the following items when installing the LCM.

- (1) Cover the surface with a transparent protective plate to protect the polarizer and LC cell.

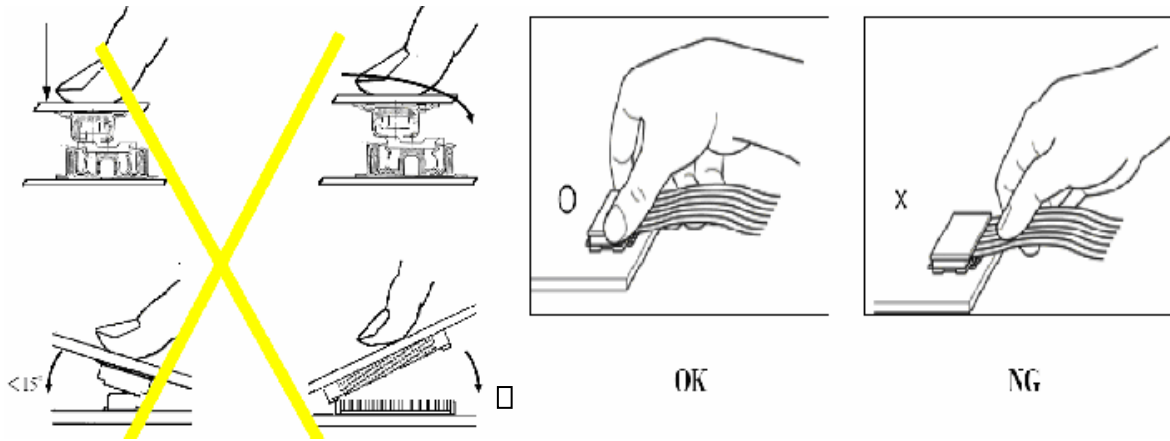


- (2) When assembling the LCM into other equipment, the spacer to the bit between the LCM and the fitting plate should have enough height to avoid causing stress to the module surface, refer to the individual specifications for

measurements. The measurement tolerance should be 0.1mm.

Precaution for assemble the module with BTB connector:

Please note the position of the male and female connector position, don't assemble or assemble like the method which the following picture shows



Precaution for soldering to the LCM

	Hand soldering	Machine drag soldering	Machine press soldering
No ROHS Product	290 C~350 C. Time :3-5S.	330 C ~350 C. Speed : 4-8mm/s.	300 C~330C. Time : 3-6S. Press: 0.8~1.2Mpa
ROHS Product	340 C~370 C. Time:3-5S.	350 C ~370 C. Time : 4-8 mm/s.	330 C~360C. Time : 3-6S. Press: 0.8~1.2Mpa

- (1) If soldering flux is used, be sure to remove any remaining flux after finishing to soldering operation. (This does not apply in the case of a non-halogen type of flux.) It is recommended that you protect the LCD surface with a cover during soldering to prevent any damage due to flux spatters.
- (2) When soldering the electroluminescent panel and PC board, the panel and board should not be detached more than three times. This maximum number is determined by the temperature and time conditions mentioned above, though there may be some variance depending on the temperature of the soldering iron.
- (3) When remove the electroluminescent panel from the PC board, be sure the solder has completely melted, the soldered pad on the PC board could be damaged.

Precautions for Operation

- (1) It is an indispensable condition to drive LCD's within the specified voltage limit since the higher voltage then the limit cause the shorter LCD life. An electrochemical reaction due to direct current causes LCD's undesirable deterioration, so that the use of direct current drive should be avoided.
- (2) Response time will be extremely delayed at lower temperature than the operating temperature range and on the other hand at higher temperature LCD's show dark color in them. However those phenomena do not mean malfunction or out of order with LCD's, which will come back in the specified operating temperature.
- (3) If the display area is pushed hard during operation, the display will become abnormal. However, it will return to normal if it is turned off and then back on.
- (4) A slight dew depositing on terminals is a cause for electro-chemical reaction resulting in terminal open circuit. Usage under the maximum operating temperature, 50%RH or less is required.
- (5) Input each signal after the positive/negative voltage becomes stable.
- (6) Please keep the temperature within specified range for use and storage. Polarization degradation, bubble generation or polarizer peel-off may occur with high temperature and high humidity.

Safety

- (1) It is recommended to crush damaged or unnecessary LCDs into pieces and wash them off with solvents such as acetone and ethanol, which should later be burned.
- (2) If any liquid leaks out of a damaged glass cell and comes in contact with the hands, wash off thoroughly with soap and water.

11.5 The disposal of waste

For waste disposal, our recommendations are as follows, please refer to your company, and the relevant provisions of the state laws and regulations of the act accordingly

1. Packing materials disposal for our packaging (carton/PS tray/EPE tray/PET tray)
 - 1) Our company used to recycle and reuse materials, packing materials can be you just need to transfer to material recycling companies
 2. Our scrap module can't be recycled for reuse, so please dispose of:
 - 1) Our scrap module can't be recycled for reuse, products and components are "served" can lead to accidents
 - 2) Our scrap can be transfer to material recycling companies, dismantling, to ensure that scrap in relatively advanced technology products, environmental protection measures of relatively perfect environment for processing.
 3. WEEE order must be executed in product scrap.

12. Prior Consult Matter

1. (1) For YES standard products, we keep the right to change material, process...for improving the product property without notice on our customer.
 - (2) For OEM products, if any change needed which may affect the product property, we will consult with our customer in advance.
2. If you have special requirement about reliability condition, please let us know before you start the test on our samples.

13. Factory

FACTORY NAME: YES OPTOELECTRONICS DISPLAY CO.,LTD
FACTORY ADDRESS: No.288 Yueling Road Anshan, Liaoning, P.R.CHINA
FACTORY PHONE: 86-412-5211859 FAX: 86-412-5211729